



English

Original Instructions

# Installation, Operation and Maintenance Instructions

## Compact Range

# Spares & Service Contact Details

## Mono UK

<b>Spares</b>	+44 (0)161 214 2380 (direct line 8.15 am – 5.00 pm)
<b>E-mail</b>	spares@mono-pumps.com
<b>Service</b>	+44 (0)161 214 2390 (direct line 8.15 am – 5.00 pm)
<b>E-mail</b>	customerservices@mono-pumps.com
<b>Service</b>	+44 (0)161 339 9000 (24 hrs)

## Mono Australia

	<b>Telephone</b>	<b>Facsimile</b>
<b>Melbourne</b>	(03) 9580 5211	(03) 9580 9036
<b>Sydney</b>	(02) 9521 5611	(02) 9542 3649
<b>Brisbane</b>	(07) 3350 4582	(07) 3350 3750
<b>Adelaide</b>	(08) 8447 8333	(08) 8447 8373
<b>Perth</b>	(08) 9479 0444	(08) 9479 0400
<b>Darwin</b>	(08) 8984 3099	(08) 8947 0540
<b>Tasmania</b>	0417 345 814	(03) 6330 2051
<b>E-mail</b>	ozsales@mono-pumps.com	

## Mono New Zealand

<b>Spares &amp; Service</b>	+64 (0)9 829 0333
<b>E-mail</b>	info@mono-pumps.co.nz

## Monoflo USA

<b>Spares &amp; Service</b>	+1 713 466 7999
<b>E-mail</b>	inquire@monoflo.com

## Monoflo South America

<b>Spares &amp; Service</b>	+54 4296 8997	+54 4284 0323
<b>E-mail</b>	inquire@monoflo.com	

## Mono China

	<b>Telephone</b>	<b>Facsimile</b>
<b>Beijing</b>	+86 (0) 10 6461 1115	+86 (0) 10 8486 8481
<b>Shanghai</b>	+86 (0) 21 5915 7168	+86 (0) 21 5915 6863
<b>E-mail</b>	monoshanghai@nov.com	

# ATEX Warning Statements

## PUMPS AND PUMP UNITS

Where a pump or pump unit is to be installed in a potentially explosive atmosphere ensure that this has been specified at the time of purchase and that the equipment has been supplied accordingly and displays an ATEX nameplate or is supplied with a certificate of conformity. If there is any doubt as to the suitability of the equipment please contact Mono Pumps Limited before commencing with installation and commissioning.

Process liquids or fluids should be kept within specified temperature limits otherwise the surface of pump or system components may become an ignition source due to temperature rises. Where the process liquid temperature is less than 90°C the maximum surface temperature will not exceed 90°C provided the pump is installed, operated and maintained in accordance with this manual. Where the process fluid temperature exceeds 90°C the maximum surface temperature will be equal to the maximum process fluid temperature.

Cavities that could allow the accumulation of explosive gases, such as under guards, should where possible, be designed out of the system. Where this is not possible they should be fully purged before any work is carried out on the pump or system.

Electrical installation and maintenance work should only be carried out by suitably qualified and competent persons and must be in accordance with relevant electrical regulations.

All electrical equipment, including control and safety devices, should be suitably rated for the environment in to which they are installed.

Where there may be a risk of an accumulation of explosive gases or dust non-sparking tools should be used for installation and maintenance.

In addition to causing permanent damage to the stator, dry running of the pump could generate a rapid rise in the temperature of the stator tube or barrel, which could become an ignition source. It is therefore essential that a dry run protection device be fitted. This must shut the pump down immediately should a dry run situation occur. Details of suitable devices are available from Mono Pumps Limited.

To minimise the risk of sparking or temperature rises due to mechanical or electrical overload the following control and safety devices should be fitted in addition to a dry run protection system. A pressure relief system whereby the pump can not generate pressures in excess of the maximum rated pressure or an over pressure device which should shut the pump down when the maximum discharge pressure is exceeded. A control system that will shut the pump down if the motor current or temperature exceed specified limits. An isolator switch that will disconnect all electrical supply to the motor and ancillary electrical equipment and be capable of being locked in the off position. All control and safety devices should be fitted, operated and maintained in accordance with the manufacturer's instructions. All valves on the system should be open when the pump is started otherwise serious mechanical overload and failure may result.

It is important that the pump rotates in the direction indicated on the nameplate. This must be checked on installation and commissioning and after any maintenance has been carried out. Failure to observe this may lead to dry running or mechanical or electrical overload.

# ATEX Warning Statements

When fitting drives, couplings, belts, pulleys and guards to a pump or pump unit it is essential that these are correctly fitted, aligned and adjusted in accordance with the manufacturer's instructions. Failure to do so may result in sparking due to unintended mechanical contact or temperature rises due to mechanical or electrical overload or slipping of drive belts. Regular inspection of these parts must be carried out to ensure they are in good condition and replacement of any suspect part must be carried out immediately.

Mechanical seals should be suitably rated for the environment. The seal and any associated equipment, such as a flushing system, must be installed, operated and maintained in accordance with the manufacturer's instructions.

Where a packed gland seal is fitted this must be correctly fitted and adjusted. This type of seal relies on the process liquid to cool the shaft and packing rings so a constant drip of liquid from the gland section is required. Where this is undesirable an alternative seal type should be fitted.

Failure to operate or maintain the pump and ancillary equipment in line with the manufacturer's instructions may lead to premature and potentially dangerous failure of components. Regular inspection, and where necessary replacement, of bearings and lubrication is essential.

The pump and its components have been designed to ensure safe operation within the guidelines covered by legislation. Accordingly Mono Pumps Limited have declared the machine safe to use for the duty specified as defined by the Declaration of Incorporation or Conformity that is issued with this instruction manual.

The use of replacement parts that are not manufactured by or approved by Mono Pumps Limited may affect the safe operation of the pump and it may therefore become a safety hazard to both operators and other equipment. In these circumstances the Declaration provided will become invalid. The guarantee referenced on the Terms and Conditions of Sale will also be invalidated.

# Index

<b>SECTION 1</b>	<b>INSTALLATION</b>
	<b>START-UP PROCEDURE</b>
	<b>ASSEMBLY AND DISMANTLING ADVICE</b>
<b>SECTION 2</b>	<b>FAULT FINDING</b>
<b>SECTION 3</b>	<b>DRAWING REFERENCE NUMBERS</b>
	<b>PUMP CODING SHEET</b>
<b>SECTION 4</b>	<b>DISMANTLING AND ASSEMBLY DIAGRAMS</b>
	<b>EXPLODED VIEWS</b>
<b>SECTION 5</b>	<b>TORQUE TIGHTENING FIGURES</b>

## EC Declaration as defined by Machinery Directive 2006/42/EC.

The following harmonised standards are applicable: BS EN 809, BS EN ISO 12100 Parts 1 & 2

### EC Declaration of Incorporation

This declaration is only valid when partly completed machinery has been supplied.

In this case, the machinery meets the requirements of the said directive and is intended for incorporation into other machinery or for assembly with other machinery in order to constitute relevant machinery as defined by the said directive including any amendments, which are valid at the time of supply.

#### **IMPORTANT**

This machinery must not be put into service until the relevant machinery into which it is to be incorporated has been declared in conformity to the said directive.

This declaration is only valid when the machinery has been installed, operated and maintained in accordance with these instructions and safety guidelines contained within as well as instructions supplied for equipment assembled with or intended for use with this equipment.

### EC Declaration of Conformity

This declaration is not valid for partly completed machinery has been supplied.

In this case the machinery meets the requirements of the said directive including any amendments which are valid at the time of supply.

We further declare that, where applicable, said machinery also meets the requirements of:

The EMC Directive 2004/108/EC  
The Low Voltage Directive 2006 /95/E  
The Pressure Equipment Directive 97/23/EC  
The Outdoor Noise Directive 2005/88/EC  
The Drinking Water Directive 99/83/EC

#### **IMPORTANT**

This declaration is only valid when the machinery has been installed, operated and maintained in accordance with these instructions and safety guidelines contained within as well as instructions supplied for equipment assembled with or intended for use with this equipment.



**Mr C. Q. Griffiths - Engineering Services Manager.  
for Mono Pumps Limited, Martin Street, Audenshaw,  
Manchester England, M34 5JA**

# Installation, Operation & Maintenance Instructions

## INSTALLATION

### 1.1 INSTALLATION AND SAFETY RECOMMENDATIONS

In common with other items of process plant a pump must be installed correctly to ensure satisfactory and safe operation. The pump must also be maintained to a suitable standard. Following these recommendations will ensure that the safety of personnel and satisfactory operation of the pump is achieved.

#### 1.2.1. GENERAL

When handling harmful or objectionable materials, adequate ventilation must be provided in order to disperse dangerous concentrations of vapours. It is recommended that wherever possible, Mono pumps should be installed with provision for adequate lighting, thus ensuring that effective maintenance can be carried out in satisfactory conditions. With certain product materials, a hosing down facility with adequate draining will simplify maintenance and prolong the life of pump components. Pumps operating on high temperature duties should be allowed to cool sufficiently before any maintenance is carried out.

#### 1.2.2. SYSTEM DESIGN & INSTALLATION

At the system design stage, consideration must be given to provision of filler plugs, and the installation of non-return and/or isolating valves. Pumps cannot be reliably used as non-return valves. Pumps in parallel and those with high static discharge head must be fitted with non-return valves.

The pumps must also be protected by suitable devices against over pressure and dry running.

#### i. HORIZONTAL MOUNTING

All ranges excluding P Range Mono pumps are normally installed in a horizontal position with baseplates mounted on a flat surface, grouted in and bolted, thus ensuring firm fixing and a reduction in noise and vibration.

The unit should be checked after bolting down to ensure that the alignment of the pump to its prime mover is correct.

#### ii. VERTICAL MOUNTING

P Range Pumps Only

The P range pumps are intended for vertical installation. Care must be taken when lifting the pump into the vertical position.

Normally 'P' range pumps will be designed with a sole plate that will be bolted to the customers framework.

If the pump is to be mounted in any way other than described above, confirmation of the installation must be agreed with Mono Pumps Limited. All the pipework should be independently supported.

### 1.3.1 HANDLING



During installation and maintenance, attention must be paid to the safe handling of all items. Where a pump or its components weigh in excess of 20 kg (45lb) it is recommended that suitable lifting tackle should be used to ensure that personal injury or damage to components does not occur.

For safe handling of both bareshaft pumps and pump units (pump/ gearbox/motor etc.) slings should be used. The position of the slings will depend upon the specific pump/unit construction and should be carried out by personnel with the relevant experience to ensure that the pump is not damaged and injury to personnel does not occur.

If eyebolts do exist then these should only be used for lifting the individual components for which they are supplied.

### 1.3.2 STORAGE AND INFREQUENT OPERATION

The situation where a pump is used infrequently is also covered by the instructions in this section.

#### SHORT TERM STORAGE

**Where a pump has to be stored for 6 months or less then the following steps are advised:-**

1. Store pump inside wherever possible or if this is not feasible then provide protective covering. Do not allow moisture to collect around the pump.
2. Remove the drain plug, if fitted. Any inspection plates fitted should also be removed to ensure that the suction housing can drain and dry completely.
3. Loosen the packed gland and inject sufficient grease into the stuffing box. Tighten the gland nut hand tight. If a water flush system is to be used do not grease, a small amount of light oil is recommended for these.
4. See Manufacturers Instructions for motor/gearbox/drive instructions for storage procedures.

**NOV Mono®**

# Installation, Operation & Maintenance Instructions

## LONG TERM STORAGE

**If the pump is to be kept in storage for more than six months then in addition to the above the following procedures should be carried out regularly (every 2 - 3 weeks if possible):**

1. If practicable rotate the pump at least three quarters of one revolution to avoid the rotor setting in the stator.
2. Note, however, that the pump is not to be rotated for more than two revolutions each time because damage could be caused to the rotor/ stator elements.

## IMMEDIATELY PRIOR TO INSTALLATION AND STARTING



**Before installing the pump please ensure that all plugs and inspection plates are replaced and that excess grease/oil is removed from the stuffing box.**

### 1.4 ELECTRICAL



Electrical connection should only be made using equipment suitable for both rating and environment. Where any doubts exist regarding the suitability of equipment, Mono Pumps Limited, should be consulted before proceeding. Normally the Mono pump should be installed with starting equipment arranged to give direct on line starting.

Earthing points will be provided on electric drives (if supplied) and it is essential that these are correctly connected. When the motor is being wired and checked for rotation, the start/stop sequence must be instantaneous to prevent dry running (see 2) or pressurising upstream equipment. (Check direction arrow on pump nameplate). The electrical installation should include appropriate isolating equipment to ensure that the pump unit is safe to work on.

### 1.5 PRESSURE RELIEF VALVES AND NON-RETURN VALVES

1. It is recommended that a suitable safety device is installed on the discharge side of the pump to prevent over-pressurisation of the system.
2. It is also recommended that a non-return valve is installed on the discharge side of the pump to prevent reverse flow through the system.

When both are installed it is advised that the relief valve is positioned closer to the pump than the non-return valve.

## IMPORTANT



**The pump must never run against a closed inlet or outlet valve, as this could result in mechanical failure.**

### 1.6 GENERAL SAFETY



**GREAT CARE MUST BE TAKEN TO PROTECT ALL ELECTRICAL EQUIPMENT FROM SPLASHING WHEN HOSING DOWN. WHERE MONO PUMPS LIMITED HAVE SUPPLIED A BARESHAFT PUMP THE ONUS IS ON THE USER TO FIT ADEQUATE GUARDS IN COMPLIANCE WITH THE REQUIREMENTS OF THE RELEVANT REGULATIONS.**

All nuts and bolts, securing flanges and base mounting fixtures must be checked for tightness before operation. To eliminate vibration, the pump must be correctly aligned with the drive unit, and all guards must be securely fixed in position. When commissioning the plant, all joints in the system must be checked thoroughly for leakage.

If, when starting, the pump does not appear to operate correctly (see 2), the plant must be shut down immediately and the cause of the malfunction established before operations are recommenced. It is recommended that depending upon plant system operation, either a combined vacuum and pressure gauge, or a vacuum gauge only be fitted to the pump inlet port, and a pressure gauge fitted to the outlet port, these will then continuously monitor the pump operating conditions. May contain substances from the ECHA SVHC Candidates List (REACH - Regulation (EC) No. 1907/2006)

### 1.7 DUTY CONDITIONS

Pumps should only be installed on duties for which Mono Pumps Limited have specified the materials of construction, flow rates, pressure, temperature, speed etc. Where dangerous materials are to be pumped, consideration must be given to the safe discharge from relief valves, gland drains etc.

**IF THE DUTY SHOULD BE CHANGED, MONO PUMPS LIMITED SHOULD BE CONTACTED AND THEIR RECOMMENDATIONS SOUGHT IN THE INTEREST OF APPLICATION, SAFETY OF PLANT, EFFICIENCY AND PUMP LIFE.**

**NOV Mono®**

One Company, Unlimited Solutions

# Installation, Operation & Maintenance Instructions

## 2. START-UP PROCEDURE

Pumps must be filled with liquid before starting. The initial filling is not for priming purposes, but to provide the necessary lubrication of the stator until the pump primes itself. When the pump is stopped, sufficient liquid will normally be trapped in the rotor/stator assembly to provide lubrication upon re-starting.

If, however, the pump has been left standing for an appreciable time, moved to a new location, or has been dismantled and re-assembled, it must be refilled with liquid and given a few turns before starting. The pump is normally somewhat stiff to turn by hand owing to the close rotor/stator fit. However, this stiffness disappears when the pump is running normally against pressure.

### 2.1 DRY RUNNING



**NEVER RUN THE PUMP IN A DRY CONDITION EVEN FOR A FEW REVOLUTIONS OR THE STATOR WILL BE DAMAGED IMMEDIATELY. CONTINUAL DRY RUNNING COULD PRODUCE SOME HARMFUL OR DAMAGING EFFECTS.**

### 2.2 PUMP ROTATION DETAILS

<u>PUMP RANGE</u>	<u>BI-DIRECTIONAL</u>	<u>COMMENT</u>
E	Yes	†
Monobloc B	Yes	†
Compact	Yes	†
Merlin Industrial	Yes	†
S, SL	Yes	†
LF	Yes	†
W	No	**
Merlin Widethroat	No	**
MM ML	No	*
MS	No	**
G	No	*
CB/SB	No	*
Placer	No	**
Grout Injection	No	**
P	No	*
CP0011	No	**
CP0025,CP0800,CP1600	No	*

- \* Clockwise when viewed from drive end.
- \*\* Anti-clockwise when viewed from drive end.
- † Anti-clockwise gives inlet at drive end.

### DIRECTIONS OF ROTATION



**BEFORE THE DIRECTION OF ROTATION IS CHANGED, MONO PUMPS LIMITED MUST BE CONSULTED SO THAT THE SUITABILITY OF THE PUMP CAN BE CONFIRMED WHEN OPERATING ON THE NEW DUTY.**

### 2.3.1. GLAND PACKING

Where a pump is supplied fitted with gland packing (manufactured from a non-asbestos material), the gland will require adjustment during the initial running in period. Newly packed glands must be allowed to run-in with only finger tight compression on the gland follower nuts. This should continue for about 3 days. The gland follower should be gradually tightened over the next week to achieve a leakage rate as shown in the table below. Gland followers should be adjusted at regular intervals to maintain the recommended leakage flow rate. Under normal working conditions a slight drip from the gland under pressure assists in cooling and lubricating the packing. **A correctly adjusted gland will always have small leakage of fluid.**

#### Typical Leakage Rates from Packed Glands

<u>Up to 50mm shaft diameter</u>	<u>2 drops per minute</u>
<u>50 ... 75mm shaft diameter</u>	<u>3 drops per minute</u>
<u>75 ... 100mm shaft diameter</u>	<u>4 drops per minute</u>
<u>100 ... 125mm shaft diameter</u>	<u>5 drops per minute</u>
<u>125 ... 160mm shaft diameter</u>	<u>6 drops per minute</u>

A gland drip is, however, undesirable when handling corrosive, degreasing, or abrasive materials. Under these conditions the gland must be tightened the minimum amount whilst the pump is running to ensure satisfactory sealing when under pressure, or to stop entry of air when under suction conditions.

The gland leakage of toxic, corrosive or hazardous liquids can cause problems of compatibility with the pumps materials of construction.

Provision of a gland drain should be considered, especially for the leakage of hazardous products.



**CARE IS REQUIRED WHEN ADJUSTING THE GLAND WHILST PUMP IS RUNNING.**

### 2.3.2 MECHANICAL SEALS - ALL PUMPS

When a mechanical seal is fitted to the pump it may be necessary to provide a barrier fluid to some part of the seal. This should be provided in line with the seal manufacturers instructions.

### 2.4. GUARDS



In the interests of safety, and in accordance with the U.K. Health and Safety at Work Act 1974, all guards must be replaced after necessary adjustments have been made to the pump.



# Installation, Operation & Maintenance Instructions

## 2.5 WARNING/CONTROL DEVICE

Prior to operating the pump, if any warning or control devices are fitted these must be set in accordance with their specific instructions.

## 2.6 PUMP OPERATING TEMPERATURE

The range of temperatures the pump surfaces will develop is dependent upon factors such as product temperature and ambient temperature of the installation. There may be instances where the external pump surface can exceed 50°C.

In these instances, personnel must be made aware of this and suitable warnings/guarding used.

## 2.7 NOISE LEVELS

1. The sound pressure level should not exceed 85dB at one metre distance from the pump.
2. This is based on a typical installation and does not necessarily include noise from other sources or any contribution from building reverberation or installation pipework
3. It is recommended the actual pump unit noise levels are ascertained once the unit is installed and running at duty conditions

## 2.8 LUBRICATION

Pumps fitted with bearings should be inspected periodically to see if grease replenishment is necessary, and if so, grease should be added until the chambers at the ends of the bearing spacer are approximately one third full.

Periodic bearing inspection is necessary to maintain optimum bearing performance. The most expedient time to inspect is during periods of regular scheduled equipment downtime - for routine maintenance or for any other reason.

Under tropical or other arduous conditions, however, a more frequent examination may be necessary. It is therefore advisable to establish a correct maintenance schedule or periodic inspection.

BP LC2 / Mobilgrease XHP 222 or their equivalent must be used for replenishment.

## 2.9 PUMP UNITS

Where a pump unit is dismantled and re-assembled, consideration must be given to ensure that where appropriate the following steps are covered.

1. Correct alignment of pump/gearbox
2. Use of appropriate couplings & bushes
3. Use of appropriate belts & pulleys correctly tensioned.

## 2.10 CLEANING PRIOR TO OPERATION

### i. Non Food Use

During the commissioning of a new pump or recommissioning of an overhauled pump, it is advisable to clean the pump prior to the initial operation of the pump in the process.

### ii. Food Use

When a pump has been supplied for a food application, it is important to ensure that the pump is clean prior to initial operation of the pump.

Therefore, it is important that a clean-in-place treatment is executed on the pump at the following times:-

1. When the pump is first commissioned for use.
2. When any spare components are fitted into the wetted area of the pump.

A recommended CIP procedure is as follows:

**This procedure should not be used on the CP Pump Range. Please consult our application engineers for a suitable procedure.**

### Caustic Wash

LQ94 ex Lever Diversey or equivalent  
2% concentration

### Acid Wash

P3 Horolith 617 ex Henkel  
Ecolab or equivalent 1% concentration

### Procedure

1. Caustic wash @ 75°C for 20 mins
2. Water rinse @ 80°C for 20 mins

# Installation, Operation & Maintenance Instructions

3. Acid wash @ 50°C for 20 mins
4. Water rinse @ 80°C for 20 mins

- CIP flow rates (hence pump speeds) should be maximised to achieve highest level of cleanability.

A C.I.P. liquid velocity of 1.5 to 2.0 m/s is required for removal of solids and soiling.

Pumps fitted with CIP by pass ports will permit higher flow rates without the need to increase pump speed.

- The use of neat active caustic and acid chemicals is not recommended. Proprietary cleaning agents should be used in line with manufacturers instructions.
- All seals and gaskets should be replaced with new if disturbed during maintenance.
- Pump internals should be regularly inspected to ensure hygienic integrity is maintained, especially with respect to elastomeric components and seals, and replaced if necessary.

The four stages constitute one cycle and we recommend that this cycle is used to clean the pump before use on food.

Once the pump has been commissioned, the cleaning process will depend upon the application. The user must therefore ensure that their cleaning procedures are suitable for the duty for which the pump has been purchased.

## 2.11 WIDETHROAT PUMPS

Specific pumps may have auger feed screws, with or without a bridge breaker system to feed the pumping element. If the pump installation requires that these cannot be enclosed, care must be taken to ensure personnel cannot gain access whilst the pump is operating. If this is not possible an emergency stop device must be fitted nearby.

## 2.12 EXPLOSIVE PRODUCTS/ HAZARDOUS ATMOSPHERES

In certain instances the product being pumped may well be of a hazardous nature.

In these installations consideration must be given to provide suitable protection and appropriate warnings to safeguard personnel and plant.

## 2.13 ACCESS PORTS



Where access ports are fitted then the following steps must be followed prior to removal:

1. Pump must be shut down and the electrical supply isolated.
2. Protective clothing should be worn, especially if the pumped product is obnoxious.
3. Remove access plate with care utilising where possible drip trays to collect product leakage.

Access ports are included to assist in removing blockages and to allow a visual check on the components within the suction chamber.

It is not to be considered as an additional method in dismantling the pump.

Re-assembly of the plate should be completed using new gaskets prior to the pump being switched on.

## 2.14 ADJUSTABLE STATORS

If adjustable stators are fitted then the following steps must be followed for adjusting the clamping devices.

The adjustable stator assembly is designed to give an even compression around the stator circumference. It is designed to be used when pump performance reduces through wear to an unacceptable level, to restore the required flow rate.

The stator compression is increased using the following steps:-

1. Release the six locking screws half a turn.
2. Tighten the eight clamp screws until adjustment allowed by releasing the lock screws has been taken up.
3. Repeat steps 1 and 2 until the pump performance has been restored to its former level.

### NOTE

It is imperative that when adjusting the stator that only sufficient pressure is placed on the stator to enable the capacity of the pump to be reinstated.

Over tightening of the stator could easily result in damage to the driver by overload and so extreme care must be taken when carrying out these adjustments.

# Installation, Operation & Maintenance Instructions

It is therefore advisable to make the adjustment while the pump is running and power readings can be monitored.

## REMOVAL OF ADJUSTABLE STATOR

The procedure for removal of an adjustable stator is the same as that of a standard one, except it is necessary to remove the clamp plates before the stator can be twisted off the rotor.

This can be done by undoing the clamp screws; then releasing the clamp plate by using the locking screws as jacking screws to remove the clamp plates.

Re-assembly will be done using the reverse procedure.

## 2.15 MAINTENANCE OF WEARING COMPONENTS

### 2.15.1 ROTOR AND STATOR

The wear rate on these components is dependent on many factors, such as product abrasivity, speed, pressure etc.

When pump performance has reduced to an unacceptable level one or possibly both items will need replacing.

### 2.15.2 DRIVE SHAFT - PACKED GLAND

The wear rate of the gland area is dependent on many factors such as product abrasivity and speed. Regular gland maintenance will maximise the life of the shaft. Replacement of both the gland packing and shaft will be necessary when shaft sealing becomes difficult to achieve.

### 2.15.3 COUPLING ROD JOINTS

Regular maintenance and lubrication will maximise life of the joints.

Replacement of one or both joint assemblies and possibly the coupling rod may be necessary when wear is apparent.

It is essential to replace all the joint items with genuine Mono parts to ensure maximum life.

## 2.15.4 FLEXISHAFT DRIVE PUMPS

With this design there are no wearing items to replace in the drive train, however, if during routine inspection the shaft is visibly damaged / distorted or the protective coating is damaged, then this item should be replaced to avoid unexpected breakdowns.

## 2.16 MECHANICAL SPEED VARIATORS

Refer to the manufacturers instructions.

These machines require regular maintenance, which typically includes weekly adjustment through the full speed range.

## 3.0 ASSEMBLY AND DISMANTLING

Section 4 contains the steps to dismantle and re-assemble the pump. All fastenings must be tightened securely and when identified the appropriate torque figures should be used.

## 3.1 USE OF ITEMS NOT APPROVED OR MANUFACTURED BY MONO PUMPS LIMITED

The pump and its components have been designed to ensure that the pump will operate safely within the guidelines covered by the legislation.

As a consequence Mono Pumps Limited have declared the machine safe to use for the duty specified as defined by the Declaration of Incorporation or Conformity that is issued with this Instruction Manual.

The use of replacement items that are not approved by or manufactured by Mono Pumps Limited may affect the safe operation of the pump and it may therefore become a safety hazard to both operators and other equipment. In these instances the Declaration provided will therefore become invalid. The guarantee referenced in the Terms and Conditions of Sale will also be invalidated if replacement items are used that are not approved or manufactured by Mono Pumps Limited.

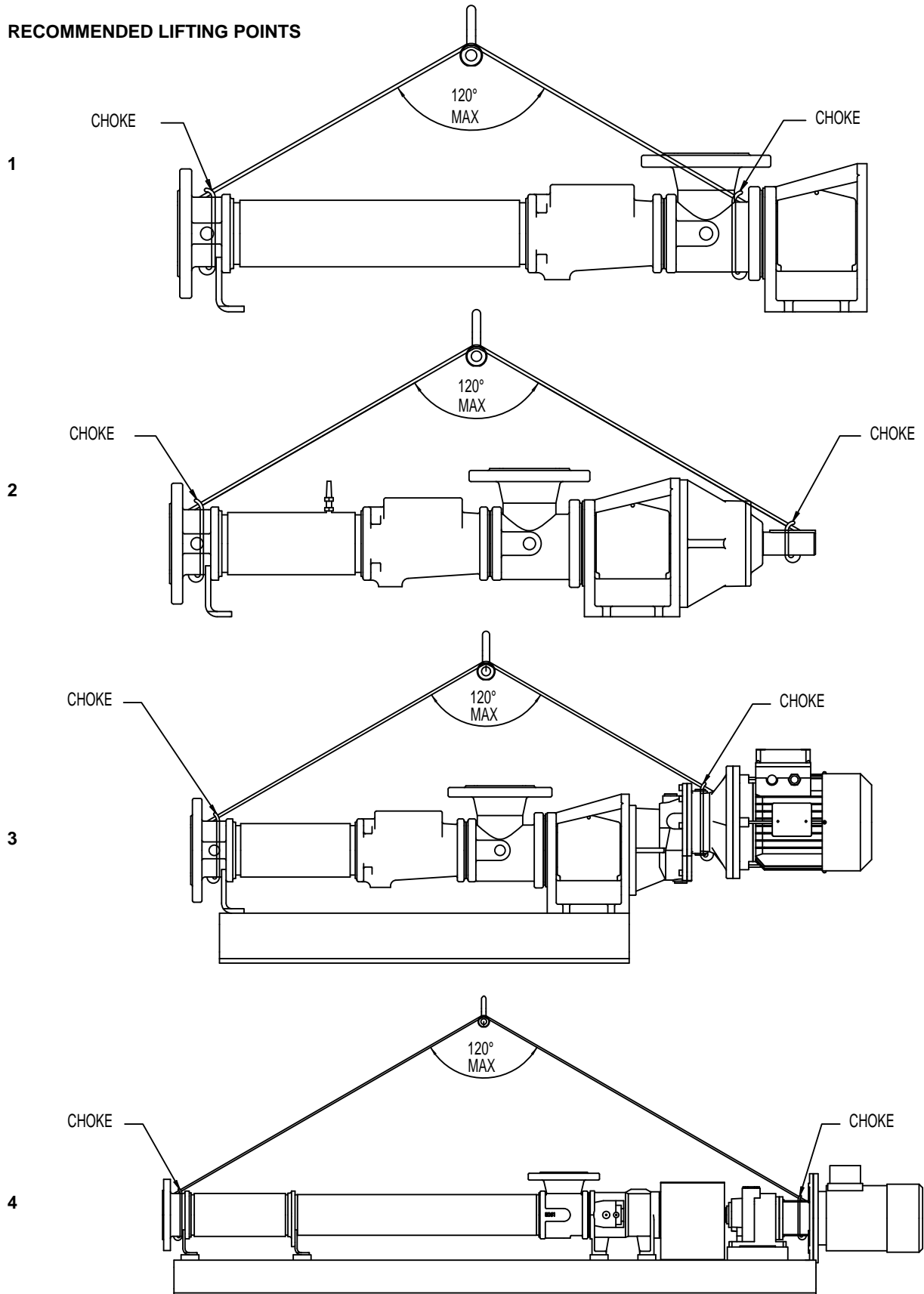


## DISPOSAL OF WORN COMPONENTS

*When replacing wearing parts, please ensure disposal of used parts is carried out in compliance with local environmental legislation. Particular care should be taken when disposing of lubricants.*

# Installation, Operation & Maintenance Instructions

## 3.2 RECOMMENDED LIFTING POINTS



# Installation, Operation & Maintenance Instructions

## 3.3 PUMP AND WEAR PARTS WEIGHTS.

**NOTE:** Weights are for guidance purpose only. Please refer to the documentation issued with your pump or spares.

### Compact Range

Model	Weight (kg)				
	Pump	Stator	Rotor	Coupling Rod/Joint	Shaft
C21B	12.5	1.2	0.4	0.2	0.6
C21D	14.5	2.6	0.8	0.2	0.6
C22A	12.5	1.2	0.4	0.2	0.6
C22B	14.5	2.6	0.8	0.2	0.6
C22D	23	5.5	1.6	0.4	0.7
C23A	18	1.3	1.5	0.4	0.7
C23B	20	2.6	1.5	0.4	0.7
C23K	20	2.6	1.5	0.4	0.7
C13D	32	5.3	2.9	1.2	1.7
C2XA	28	2.1	1.6	0.4	0.7
C2XB	31	5.6	2.8	0.4	0.7
C1XD	57	10.4	5.5	2.6	3.1
C1XK	32	5.1	2.7	0.4	0.7
C14A	34	3.5	2.6	1.2	1.7
C14B	46	7.1	4.5	1.2	1.7
C14D	72	14.0	9.2	2.4	3.1
C14K	42	7.1	4.5	1.2	1.7
C15A	50	6.3	4.9	1.2	1.7
C15B	70	12.4	9.1	2.4	3.1
C15D	106	24.5	18.0	4.9	4.4
C15K	57	12.3	8.8	1.2	1.7
C16A	77	11.0	8.4	2.4	3.1
C16B	102	21.5	15.4	4.9	4.4
C16D	180	42.5	30.2	12.3	8.7
C16K	94	5.0	15.3	2.4	3.1
C17A	107	17.4	13.3	4.9	4.3
C17B	150	34.3	24.5	4.6	4.3
C17D	252	68.0	48.9	15.3	8.7
C17K	148	34.3	24.5	4.6	4.3
C18A	113	23.1	17.9	6.2	4.3
C18B	170	24.6	33.7	12.3	8.7
C18D	291	87.0	65.7	15.3	9.5
C18K	172	45.0	33.0	6.2	4.3
C19A	175	41.7	25.8	12.3	8.7
C19B	286	65.9	47.6	12.3	8.7
C19K	270	67.2	47.6	12.3	8.7
C1AA	215	37.4	38.8	12.3	8.7
C1AB	355	74.4	72.4	15.3	9.5
C1AK	301	74.4	71.4	12.3	8.7
C1BA	349	64.5	68.1	15.3	9.5
C1BB	650	130.0	132.5	21.7	35.4
C1BK	473	122.9	126.8	15.3	9.5
C1CA	650	85.0	129.1	21.7	35.4
C1CB	950	186.1	263.6	21.9	35.4
C1CK	950	186.1	263.8	21.9	35.4
C1DA	680	121.4	171.3	21.7	35.4
C1DB	862	176.0	186.0	21.7	35.4
C1EB	1213	451.0	262.0	21.7	35.4

# Diagnostic Chart

SYMPTOMS	POSSIBLE CAUSES
<ol style="list-style-type: none"> <li>1. NO DISCHARGE</li> <li>2. LOSS OF CAPACITY</li> <li>3. IRREGULAR DISCHARGE</li> <li>4. PRIMING LOST AFTER START</li> <li>5. PUMP STALLS AT START UP</li> <li>6. PUMP OVERHEATS</li> <li>7. MOTOR OVERHEATS</li> <li>8. EXCESSIVE POWER ABSORBED BY PUMP</li> <li>9. NOISE AND VIBRATION</li> <li>10. PUMP ELEMENT WEAR</li> <li>11. EXCESSIVE GLAND OR SEAL WEAR</li> <li>12. GLAND LEAKAGE</li> <li>13. SEIZURE</li> </ol>	<ol style="list-style-type: none"> <li>1. 2. 3. 7. 26. 28. 29.</li> <li>3. 4. 5. 6. 7. 8. 9. 10. 22. 13. 16. 17. 21. 22. 23. 29</li> <li>3. 4. 5. 6. 7. 8. 13. 15. 29.</li> <li>3. 4. 5. 6. 7. 8. 13. 15</li> <li>8. 11. 24.</li> <li>8. 9. 11. 12. 18. 20</li> <li>8. 11. 12. 15. 18. 20.</li> <li>8. 11. 12. 15. 18. 20</li> <li>3. 4. 5. 6. 7. 8. 9. 11. 13. 15. 18. 19. 20. 22. 23. 27. 31</li> <li>9. 11.</li> <li>12. 14. 25. 30.</li> <li>13. 14.</li> <li>9. 11. 12. 20.</li> </ol>
LIST OF CAUSES	REMEDIAL ACTIONS
<ol style="list-style-type: none"> <li>1. INCORRECT DIRECTION OF ROTATION</li> <li>2. PUMP UNPRIMED</li> <li>3. INSUFFICIENT N.P.S.H. AVAILABLE</li> <li>4. PRODUCT VAPORISING IN SUPPLY LINE</li> <li>5. AIR ENTERING SUPPLY LINE</li> <li>6. INSUFFICIENT HEAD ABOVE SUPPLY VESSEL OUTLET</li> <li>7. FOOTVALVE/STRAINER OBSTRUCTED OR BLOCKED</li> <li>8. PRODUCT VISCOSITY ABOVE RATED FIGURE</li> <li>9. PRODUCT TEMP. ABOVE RATED FIGURE</li> <li>10. PRODUCT VISCOSITY BELOW RATED FIGURE</li> <li>11. DELIVERY PRESSURE ABOVE RATED FIGURE</li> <li>12. GLAND OVERTIGHT</li> <li>13. GLAND UNDERTIGHT</li> <li>14. GLAND FLUSHING INADEQUATE</li> <li>15. PUMP SPEED ABOVE RATED FIGURE</li> <li>16. PUMP SPEED BELOW RATED FIGURE</li> <li>17. BELT DRIVE SLIPPING</li> <li>18. COUPLING MISALIGNED</li> <li>19. INSECURE PUMP/DRIVE MOUNTING</li> <li>20. SHAFT BEARING WEAR/FAILURE</li> <li>21. WORN PUMP ELEMENT</li> <li>22. RELIEF VALVE CHATTER</li> <li>23. R.V. INCORRECTLY SET</li> <li>24. LOW VOLTAGE</li> <li>25. PRODUCT ENTERING PACKING AREA</li> <li>26. DRIVE TRAIN BREAKAGE</li> <li>27. NEGATIVE OR VERY LOW DELIVERY HEAD</li> <li>28. DISCHARGE BLOCKED/VALVE CLOSED</li> <li>29. STATOR TURNING</li> <li>30. STUFFING BOX 'EATS' PACKING</li> <li>31. VEE BELTS</li> </ol>	<ol style="list-style-type: none"> <li>1. REVERSE MOTOR</li> <li>2. BLEED SYSTEM OF AIR/GAS</li> <li>3. INCREASE SUCTION HEAD OR REDUCE SPEED/TEMP.</li> <li>4. INCREASE N.P.S.H. AVAILABLE (SEE 3 ABOVE)</li> <li>5. CHECK PIPE JOINTS/GLAND ADJUSTMENT</li> <li>6. RAISE VESSEL/INCREASE PIPE SIZE</li> <li>7. CLEAN OUT SUCTION LINE/VALVES</li> <li>8. DECREASE PUMP SPEED/INCREASE TEMP.</li> <li>9. COOL THE PRODUCT</li> <li>10. INCREASE PUMP SPEED/REDUCE TEMP.</li> <li>11. CHECK FOR BLOCKAGES IN DELIVERY LINE</li> <li>12. ADJUST GLAND SEE O&amp;M INSTRUCTIONS</li> <li>13. ADJUST GLAND SEE O&amp;M INSTRUCTIONS</li> <li>14. CHECK FLUID FLOWS FREELY INTO GLAND</li> <li>15. DECREASE PUMP SPEED</li> <li>16. INCREASE PUMP SPEED</li> <li>17. RE-TENSION BELTS</li> <li>18. CHECK AND ADJUST ALIGNMENT</li> <li>19. CHECK AND TIGHTEN ALL PUMP MOUNTINGS</li> <li>20. REPLACE BEARINGS</li> <li>21. FIT NEW PARTS</li> <li>22. CHECK CONDITION OF VALVE/RENEW</li> <li>23. RE-ADJUST SPRING COMPRESSION</li> <li>24. CHECK VOLTAGE/WIRING SIZES</li> <li>25. CHECK PACKING CONDITION AND TYPE</li> <li>26. CHECK AND REPLACE BROKEN COMPONENTS</li> <li>27. CLOSE DELIVERY VALVE SLIGHTLY</li> <li>28. REVERSE PUMP/RELIEVE PRESSURE/CLEAR BLOCKAGES</li> <li>29. REPLACE WORN PARTS/TIGHTEN UP STATOR BOLTS</li> <li>30. CHECK FOR WORN SHAFT AND REPLACE</li> <li>31. CHECK AND ADJUST TENSION OR REPLACE</li> </ol>

# Drawing Reference Numbers

## C1XK AND ABOVE EXCLUDING 4 - STAGE MODELS

<u>DRG. REF</u>	<u>DESCRIPTION</u>	<u>DRG. REF</u>	<u>DESCRIPTION</u>
01A	BODY-STD C.I.	P201	TAPER PLUG
10A	MECHANICAL SEAL	P202	TAPER PLUG
15A	THROWER GUARD	P203	HEX. SOC. SETSCREW
20B	GASKET-GLAND		
22A	STATOR-MTM NITRILE RUBBER	P401	TORL SEAL RING
23A	SUCTION CHAMBER	P402	TORL SEAL RING
23B	SUCT CHAMB EXTENSION	P403	SPIRAL RET.RING
24A	END COVER	P404	SPIRAL RET.RING
25A	ROTOR	P405	TIE-SEALING COVER
26A	COUPLING ROD	P406	TIE SEALING COVER
28A	SEALING COVER		
28B	SEALING COVER	P501	TAPER PLUG
29A	COUPLING ROD PIN	P502	TAPER PLUG
29B	COUPLING ROD PIN	P503	HEX. NUT
29C	SHAFT PIN	P504	WASHER
32A	DRIVE SHAFT	P505	SNGL. COIL SPR. WASHER
42A	THROWER	P506	HEX. NUT
62A	SUPPORT FOOT	P507	WASHER
65A	MECH SEAL CARRIER	P508	SNGL. COIL SPR. WASHER
66A	ABUTMENT RING	P509	TORL SEAL RING
74A	SLEEVE (ROTOR-SHAFT)	P510	TORL SEAL RING
74B	SLEEVE (ROTOR-SHAFT)	P519	TAPER PLUG
95A	TIE ROD	P520	HEX. HD. BOLT
		P521	HEX. NUT
P104	HEX. HD. BOLT	P522	WASHER
P105	HEX. NUT	P523	SNGL. COIL SPR. WASHER
P106	WASHER		
P107	SNGL. COIL SPR. WASHER	P601	HEX HD BOLT
P109	HEX NUT	P602	SNGL. COIL SPR. WASHER
		P603	WASHER
		P604	HEX. NUT

### IMPORTANT NOTE

THE DRAWING REFERENCES SHOWN GIVE THE DESCRIPTION OF ALL THE PARTS DETAILED ON THE SECTIONAL DRAWINGS IN THIS SECTION OF THE BOOK. THEREFORE SOME OF THE REFERENCES MAY NOT BE SHOWN ON ANY ONE.

# Drawing Reference Numbers

## 4 - STAGE MODELS C13D TO C18D

<u>DRG. REF.</u>	<u>DESCRIPTION</u>	<u>DRG. REF.</u>	<u>DESCRIPTION</u>
01A	BODY	P501	HEX NUT
01B	BEARING HOUSING	P502	SPRING WASHER
01C	BODY ADAPTOR	P503	PLAIN WASHER
06A	NAMEPLATE (SOG)	P504	PLAIN WASHER
06B	NAMEPLATE (DOG)	P505	SPRING WASHER
10A	MECHANICAL SEAL/GLAND PACKING	P506	HEX NUT
15A	THROWER GUARD	P507	HEX HEAD SCREW
20A	GASKET-GLAND	P508	PLAIN WASHER
20B	GASKET-GLAND	P509	PLAIN WASHER
22A	STATOR	P510	SPRING WASHER
23A	SUCTION CHAMBER	P511	HEX NUT
23B	SUCTION CHAMBER EXTENSION	P512	STUD
24A	END COVER	P513	PLAIN WASHER
25A	ROTOR	P514	SPRING WASHER
26A	COUPLING ROD	P515	HEX NUT
28A	SEALING COVER	P516	HEAD SCREW
28B	SEALING COVER	P517	PLAIN WASHER
29A	COUPLING ROD PIN	P518	PLAIN WASHER
29B	COUPLING ROD PIN	P519	SPRING WASHER
29C	SHAFT PIN	P520	HEX NUT
32A	DRIVE SHAFT	P522	PLAIN WASHER
42A	THROWER	P526	TAPER PLUG
62A	SUPPORT FOOT	P527	TAPER PLUG
65A	MECH SEAL CARRIER/GLAND SECTION	P528	TAPER PLUG
66A	ABUTMENT RING	P529	SEAL RING
75A	ROTOR/SHAFT SLEEVE	P530	STUD
75B	ROTOR/SHAFT SLEEVE	P531	SPRING WASHER
76A	ADAPTOR FLANGE	P532	PLAIN WASHER
95A	TIE BAR	P533	HEX NUT
P104	HEX HEAD BOLT	P534	STUD
P105	HEX NUT	P535	HEX NUT
P106	PLAIN WASHER	P536	PLAIN WASHER
P107	SPRING WASHER	P537	SPRING WASHER
P108	SPRING WASHER	P538	TORL SEAL RING
P109	HEX NUT	P539	TORL SEAL RING
P201	TAPER PLUG	P601	HEX HEAD BOLT
P202	TAPER PLUG	P602	SPRING WASHER
P401	SEAL RING	P603	PLAIN WASHER
P402	SEAL RING	P604	HEX NUT
P403	SPIRAL RETAINING RING		
P404	SPIRAL RETAINING RING		
P405	TIE - SEALING COVER		
P406	TIE - SEALING COVER		

### **IMPORTANT NOTE**

THE DRAWING REFERENCES SHOWN GIVE THE DESCRIPTION OF ALL THE PARTS DETAILED ON THE SECTIONAL DRAWINGS IN THIS SECTION OF THE BOOK. THEREFORE SOME OF THE REFERENCES MAY NOT BE SHOWN ON ANY ONE.



# Installation, Operation & Maintenance Instructions

## C2XB AND BELOW EXCLUDING 4 - STAGE MODELS

<u>DRG.</u> <u>REF.</u>	<u>DESCRIPTION</u>	<u>DRG.</u> <u>REF.</u>	<u>DESCRIPTION</u>
01A	BODY	P201	PLUG
06A	NAMEPLATE (SOG)	P202	PLUG
06B	NAMEPLATE (DOG)		
10A	MECHANICAL SEAL	P401	SEAL RING
15A	THROWER GUARD ASSEMBLY	P402	SEAL RING
20A	GASKET GLAND	P403	SPIRAL RETAINING RING
20B	GASKET GLAND	P404	SPIRAL RETAINING RING
20C	SEAL RING	P405	TIE
22A	STATOR	P406	TIE
23A	SUCTION CHAMBER		
23B	SUCTION CHAMBER EXTENSION	P501	PLUG
24A	END COVER	P502	PLUG
25A	ROTOR	P503	PLUG
26A	COUPLING ROD	P504	HEXAGONAL NUT
28A	SEALING COVER	P505	SPRING WASHER
28B	SEALING COVER	P506	FLAT WASHER
29A	COUPLING ROD PIN	P507	HEXAGONAL NUT
29B	COUPLING ROD PIN	P508	SPRING WASHER
29C	SHAFT PIN	P509	FLAT WASHER
32A	DRIVE SHAFT	P510	HEXAGONAL HEAD BOLT
42A	THROWER	P511	SPRING WASHER
47A	ADAPTER PLATE	P512	FLAT WASHER
47B	ADAPTER PLATE	P513	HEXAGONAL NUT
62A	SUPPORT FOOT	P515	SEAL RING
65A	MECHANICAL SEAL CARRIER		
66A	ABUTMENT RING	P601	HEXAGONAL HEAD BOLT
75A	SLEEVE	P602	SPRING WASHER
75B	SLEEVE	P603	FLAT WASHER
95A	TIE BAR	P604	HEXAGONAL NUT
P101	HEXAGONAL HEAD BOLT		
P102	FLAT WASHER		
P104	HEXAGONAL HEAD BOLT		
P105	HEXAGONAL NUT		
P106	FLAT WASHER		
P107	SPRING WASHER		
P108	FLAT WASHER		
P109	HEXAGONAL NUT		

### IMPORTANT NOTE

THE DRAWING REFERENCES SHOWN GIVE THE DESCRIPTION OF ALL THE PARTS DETAILED ON THE SECTIONAL DRAWINGS IN THIS SECTION OF THE BOOK. THEREFORE SOME OF THE REFERENCES MAY NOT BE SHOWN ON ANY ONE.

# Installation, Operation & Maintenance Instructions

## SQUARE INLET - ALL MODELS

<u>DRG.</u> <u>REF.</u>	<u>DESCRIPTION</u>	<u>DRG.</u> <u>REF.</u>	<u>DESCRIPTION</u>
01A	BODY	P101	HEX SCREW
06A	NAMEPLATE	P102	FLAT WASHER
10A	MECHANICAL SEAL	P103	STUD
15A	THROWER GUARD	P104	HEX BOLT
20A	INSPECTION COVER GASKET	P105	HEX NUT
20B	GLAND GASKET	P106	FLAT WASHER
22A	STATOR	P107	SPRING WASHER
23A	THROAT	P108	SPRING WASHER
24A	END COVER	P109	HEX NUT
25A	ROTOR	P201	TAPER PLUG
27A	COUPLING ROD BUSH	P202	TAPER PLUG
27B	COUPLING ROD BUSH	P203	GRUB SCREW
28A	SEALING BOOT	P401	O RING
28B	SEALING BOOT	P402	O RING
29A	COUPLING ROD PIN	P403	SPIRAL RETAINING RING
29B	C OUPLING ROD PIN	P404	SPIRAL RETAINING RING
29C	DRIVE SHAFT PIN	P405	SEALING BOOT TIE
32A	DRIVE SHAFT	P406	SEALING BOOT TIE
38A	CONVEYOR	P501	TAPER PLUG
42A	THROWER	P503	HEX NUT
59A	INSPECTION COVER	P504	FLAT WASHER
62A	SUPPORT FOOT	P505	SPRING WASHER
65A	GLAND SECTION		
66A	ABUTMENT RING		
75A	SHAFT SLEEVE		
75B	ROTOR SLEEVE		
95A	STATOR TIE BAR		

### IMPORTANT NOTE

THE DRAWING REFERENCES SHOWN GIVE THE DESCRIPTION OF ALL THE PARTS DETAILED ON THE SECTIONAL DRAWINGS IN THIS SECTION OF THE BOOK. THEREFORE SOME OF THE REFERENCES MAY NOT BE SHOWN ON ANY ONE.

# Pump Coding

<b>Range</b>	Monobloc Compact	C																		
	Monobloc Compact Square Inlet	S																		
<b>Design Mk No</b>	Monobloc		1																	
	Monobloc (January 2007)		2																	
<b>Size</b>	1.3m³/h @ 1750 rpm			1																
	3.3m³/h @ 1750 rpm			2																
	10m³/h @ 1500 rpm			3																
	13m³/h @ 1500 rpm			X																
	22m³/h @ 1000 rpm			4																
	37m³/h @ 800 rpm			5																
	57m³/h @ 700 rpm			6																
	79m³/h @ 600 rpm			7																
	97m³/h @ 500 rpm			8																
	125m³/h @ 450 rpm			9																
	165m³/h @ 400rpm			A																
	225m³/h @ 350 rpm			B																
	<b>Stages</b>	Single stage					A													
Two stage						B														
Four stage						D														
Single stage - extended pitch						K														
<b>Casing Material</b>	Cast Iron									C										
	Stainless steel									S										
<b>Rotating Parts</b> <b>1</b>	Code 1										1									
	Code 5										5									
	Code 8										8									
<b>Rotor Mk No</b>	Mk 0 (Oversized)											0								
	Mk1 (Standard)											1								
	Mk3 (Temperature)											3								
	Mk5 (Temperature)											5								
<b>Stator Material</b>	RA, RR etc.													R						
<b>Seal Type</b>	Mechanical Seal																		M	
	Packed Gland																		P	
<b>Build Option</b>	Refer to product manual section 2 & 3, drive selections																		A	
																			B	
																				H
<b>/</b>																			/	
<b>Variation</b>	For special requirements contact Mono Pumps Ltd																			A 1 2 3

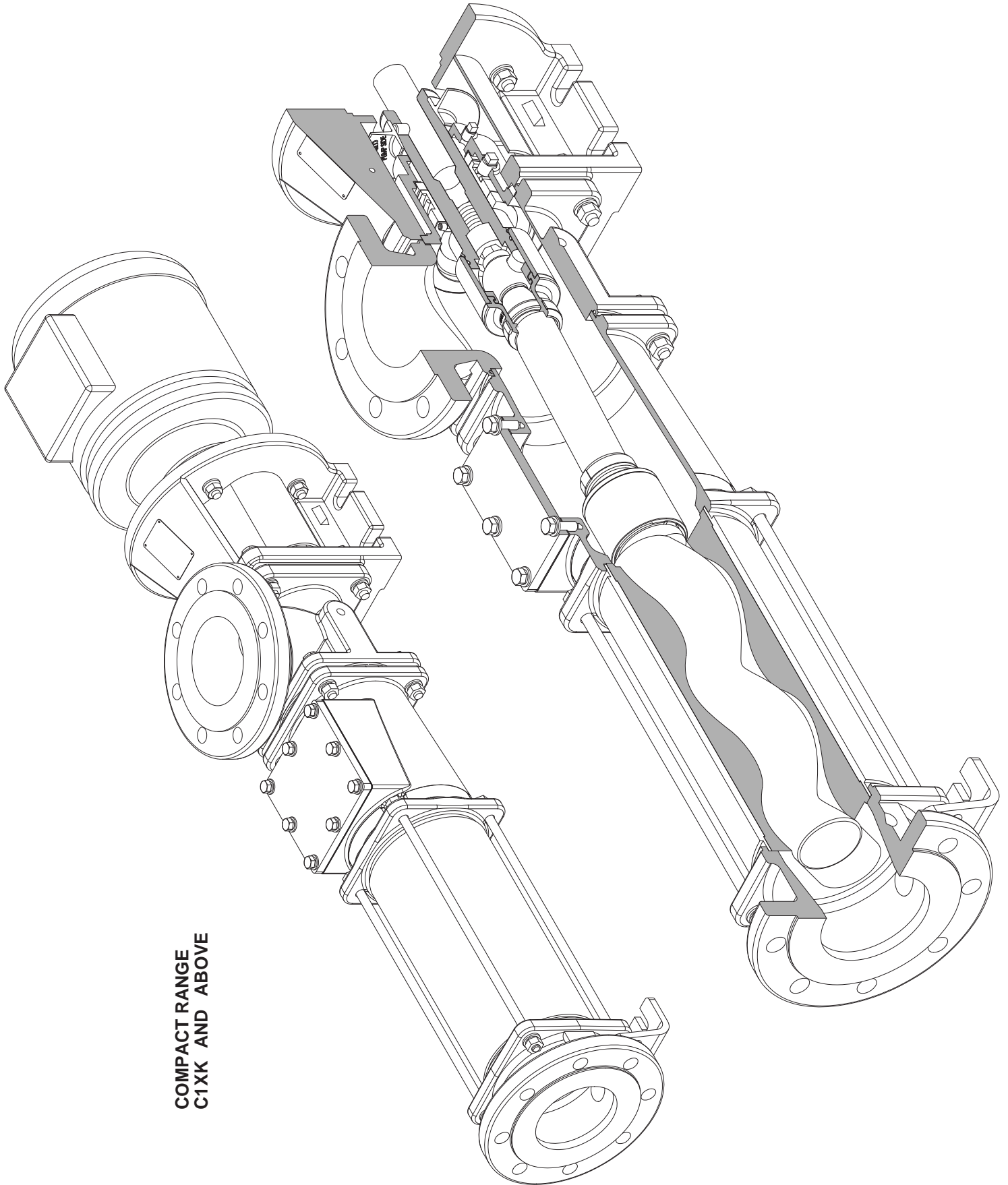
Example

**C 1 X A C 8 1 R M A**  
 C Range  
 Design Mk 1  
 Size 0X  
 Single Stage  
 Cast Iron  
 Code 8 Rot Parts  
 Mk 1 Rotor  
 Nitrile Stator  
 Mechanical Seal  
 Build Option A

**Note:** Refer to Pre Selection Table for availability of pump models.

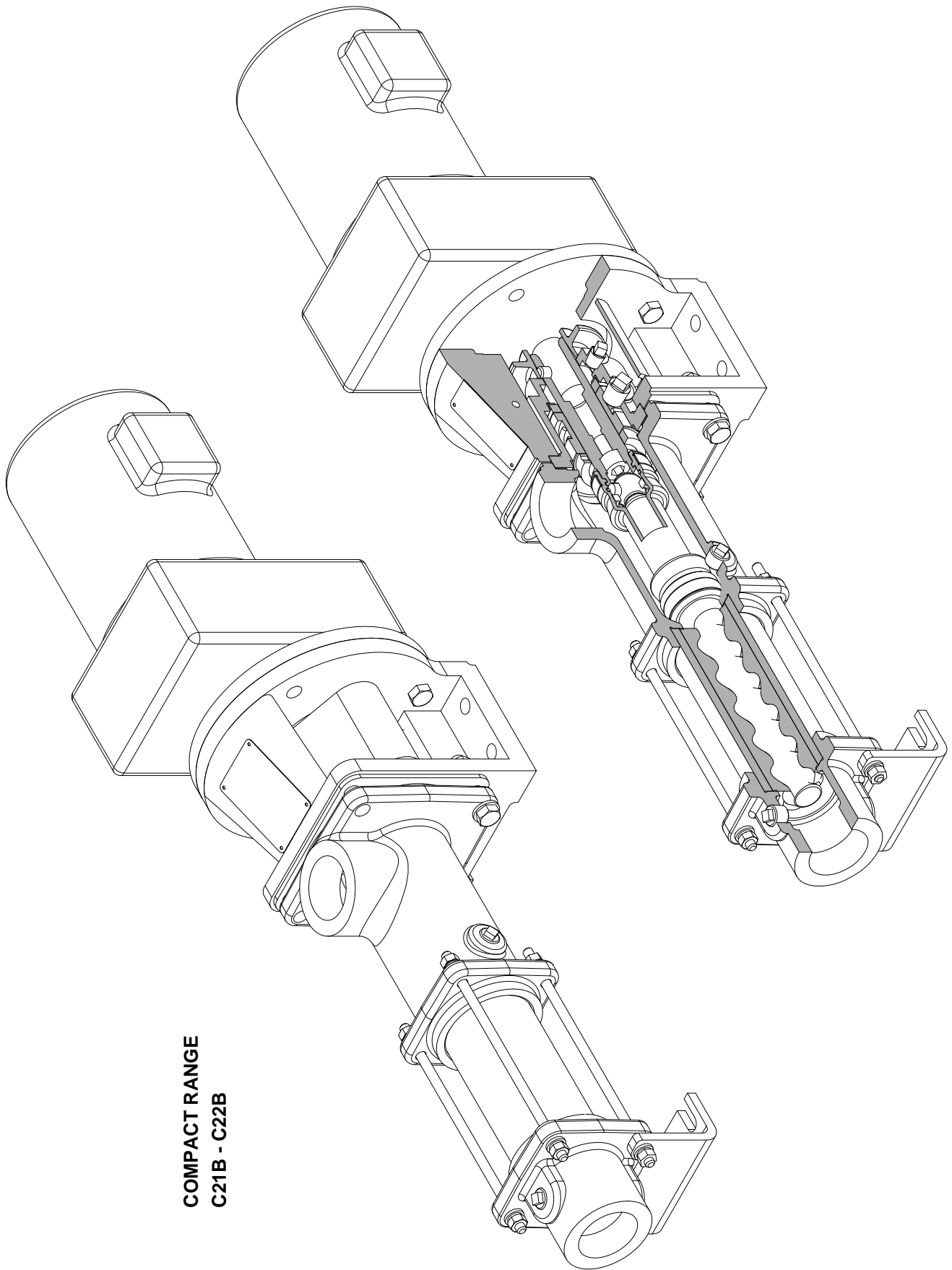
**1** : For other material options please contact Mono Pumps Limited.

# Dismantling & Assembly Diagrams



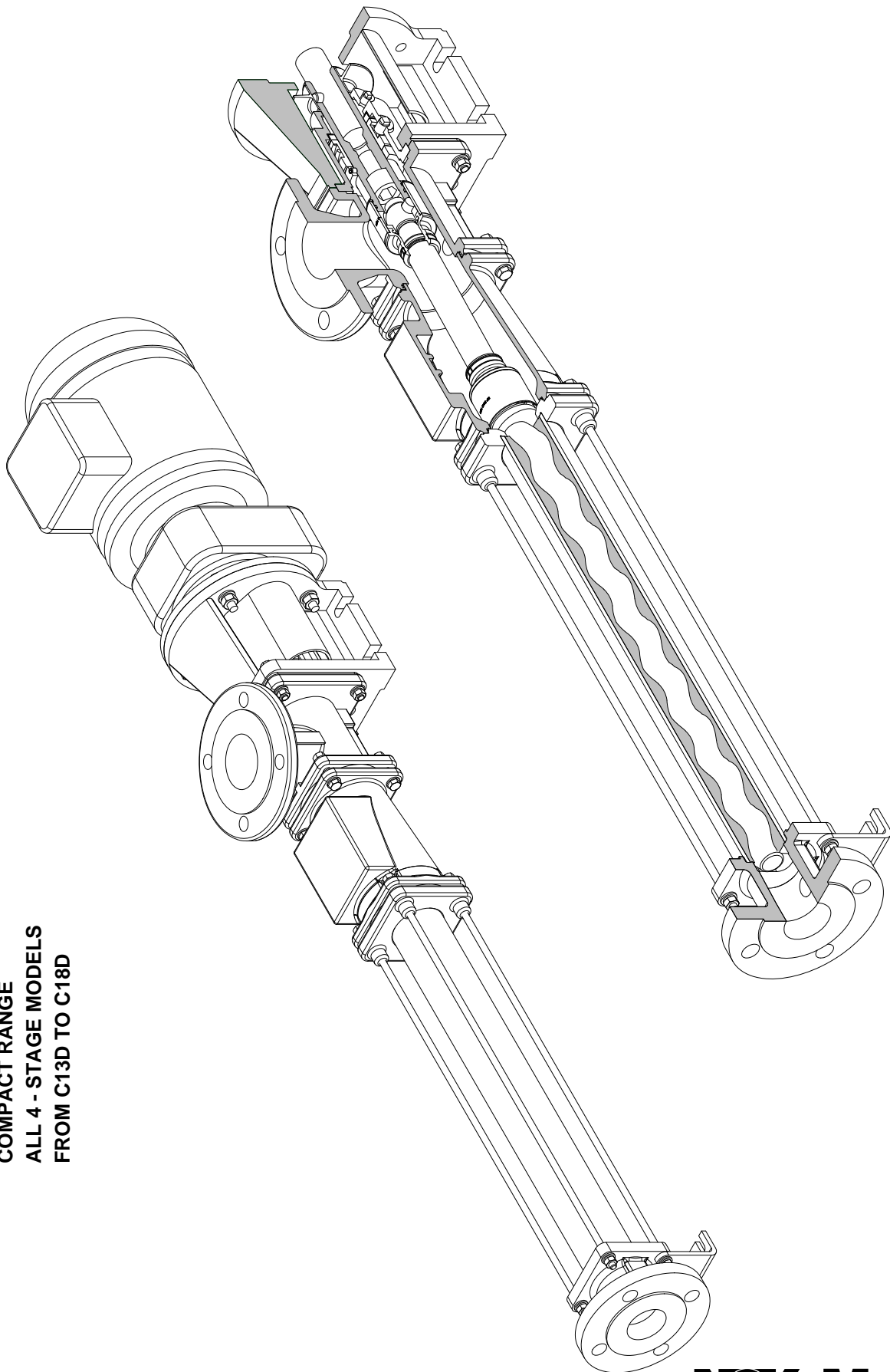
COMPACT RANGE  
C1XK AND ABOVE

# Dismantling & Assembly Diagrams



COMPACT RANGE  
C21B - C22B

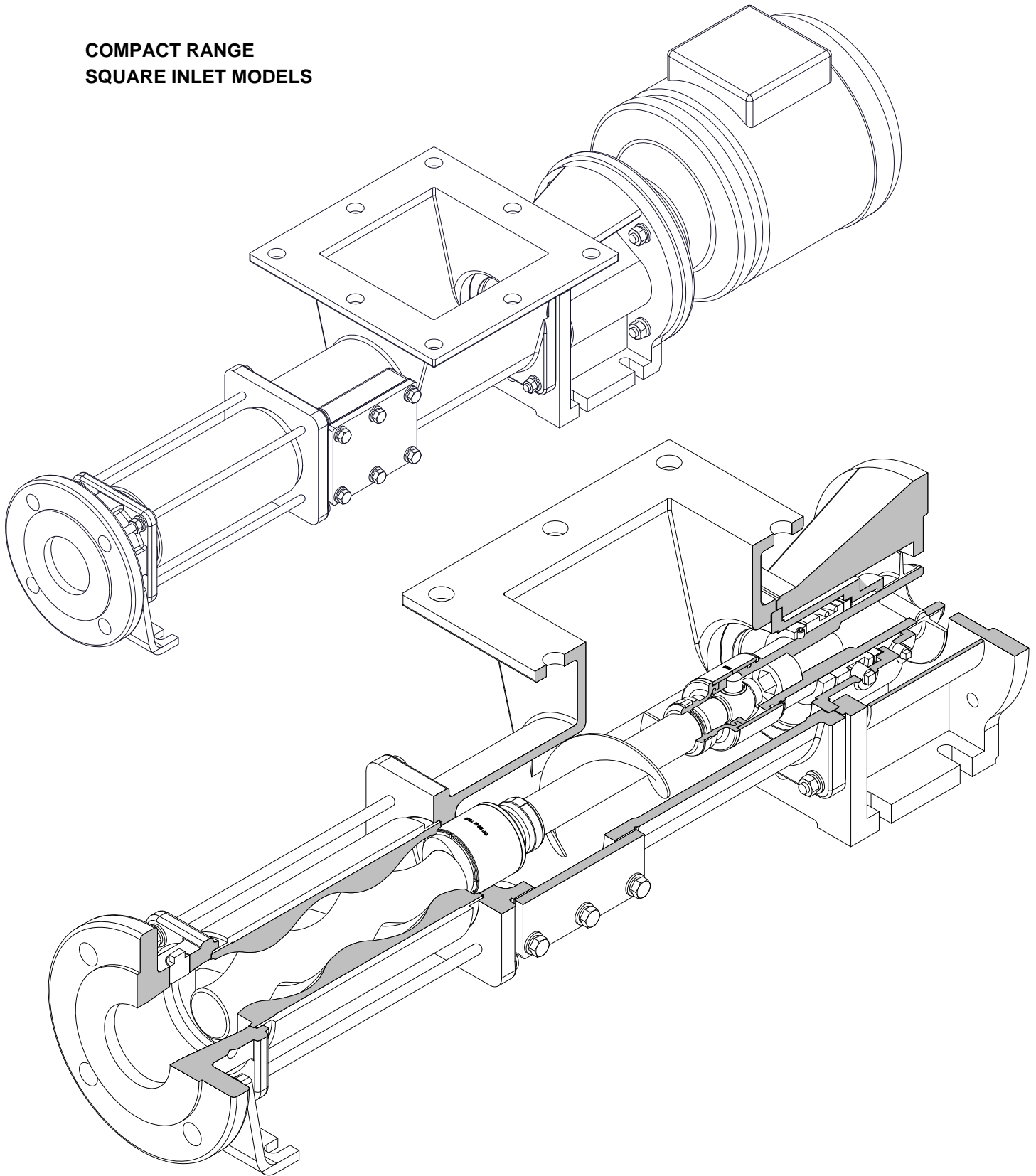
# Dismantling & Assembly Diagrams



COMPACT RANGE  
ALL 4 - STAGE MODELS  
FROM C13D TO C18D

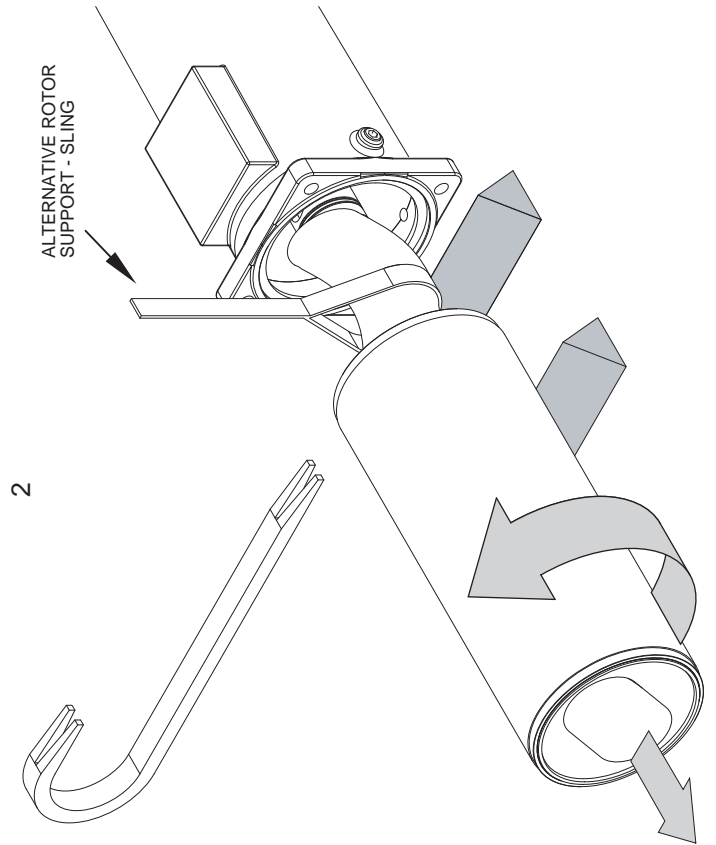
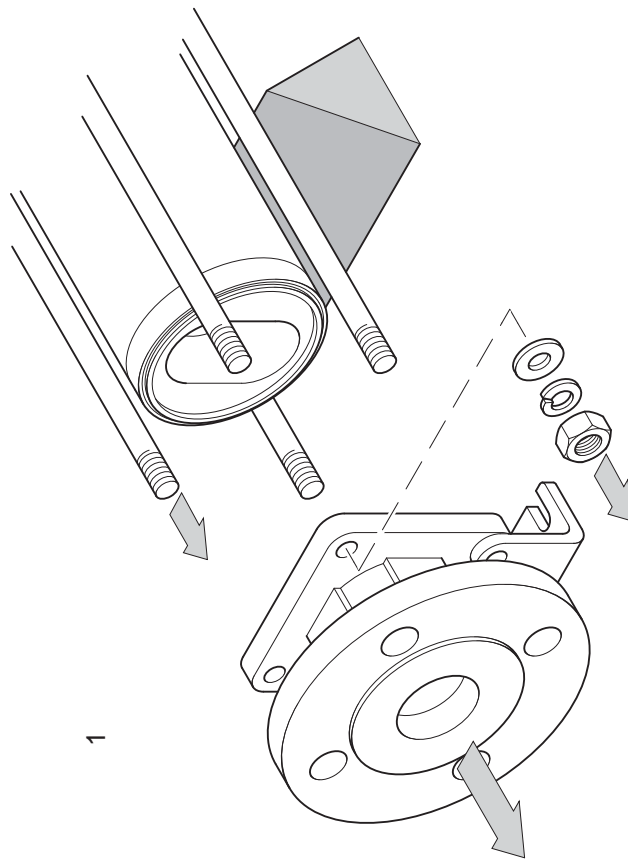
# Dismantling & Assembly Diagrams

**COMPACT RANGE  
SQUARE INLET MODELS**



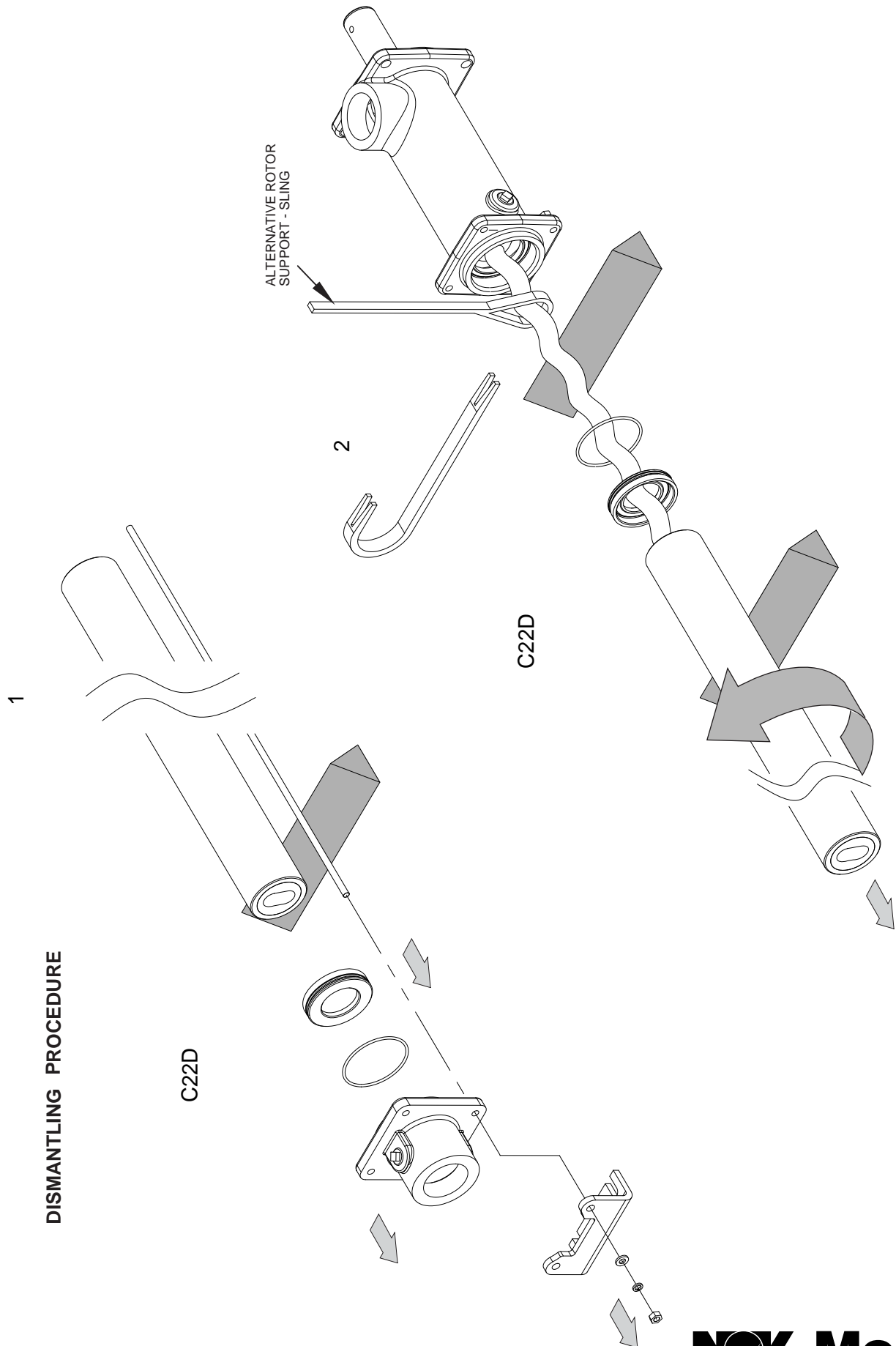
# Dismantling & Assembly Diagrams

DISMANTLING PROCEDURE



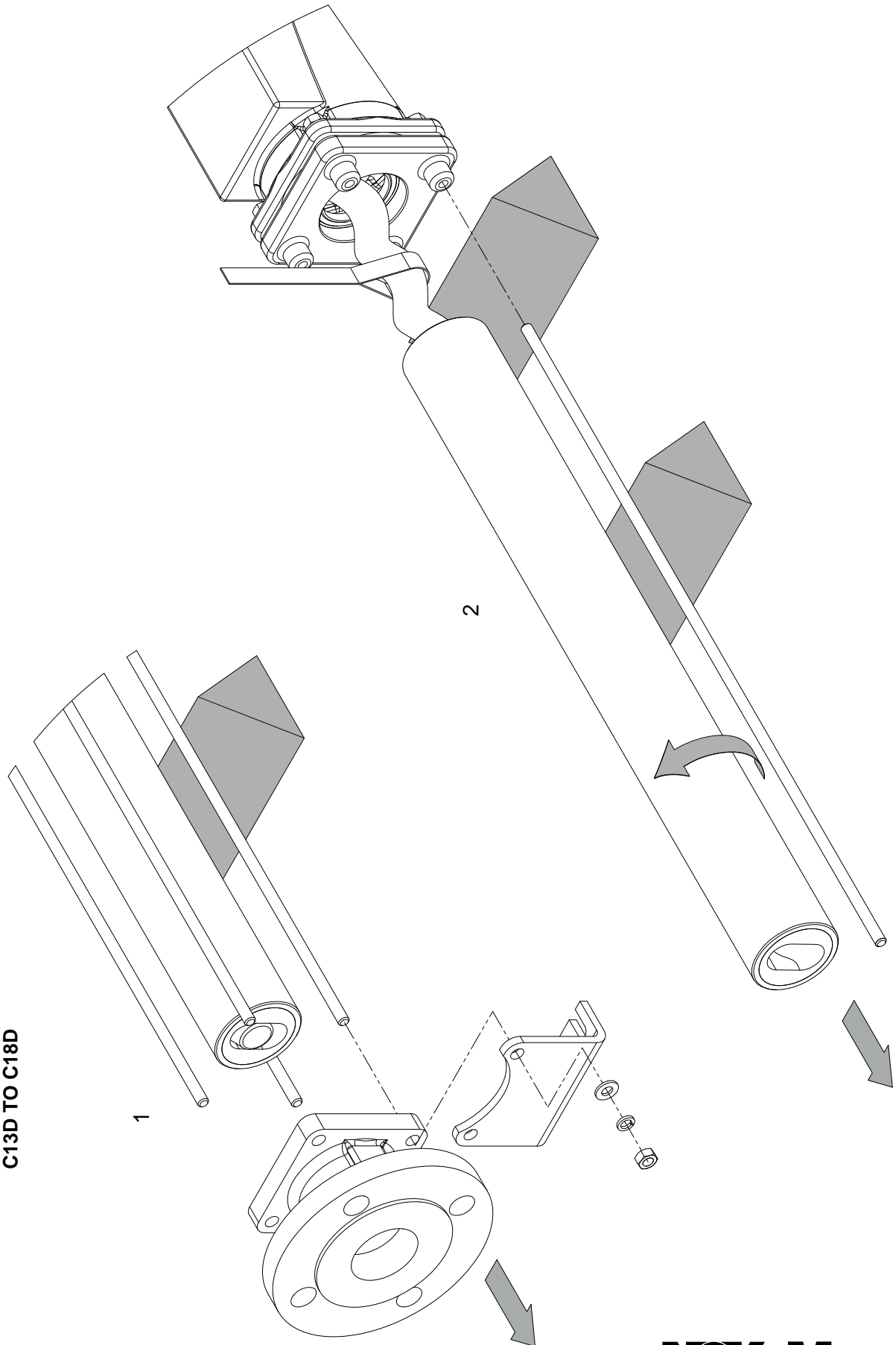


# Dismantling & Assembly Diagrams

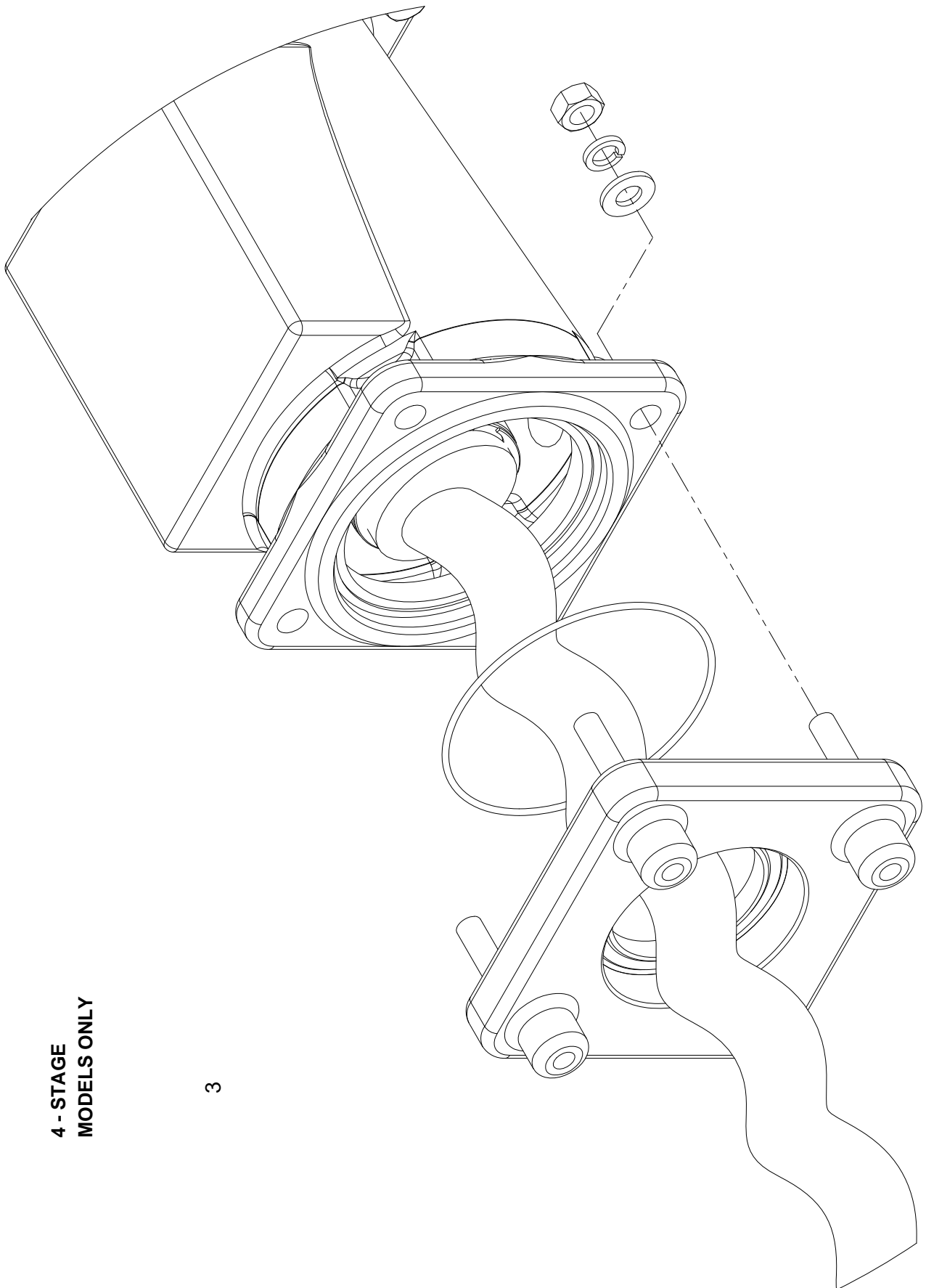


# Dismantling & Assembly Diagrams

4 - STAGE  
C13D TO C18D



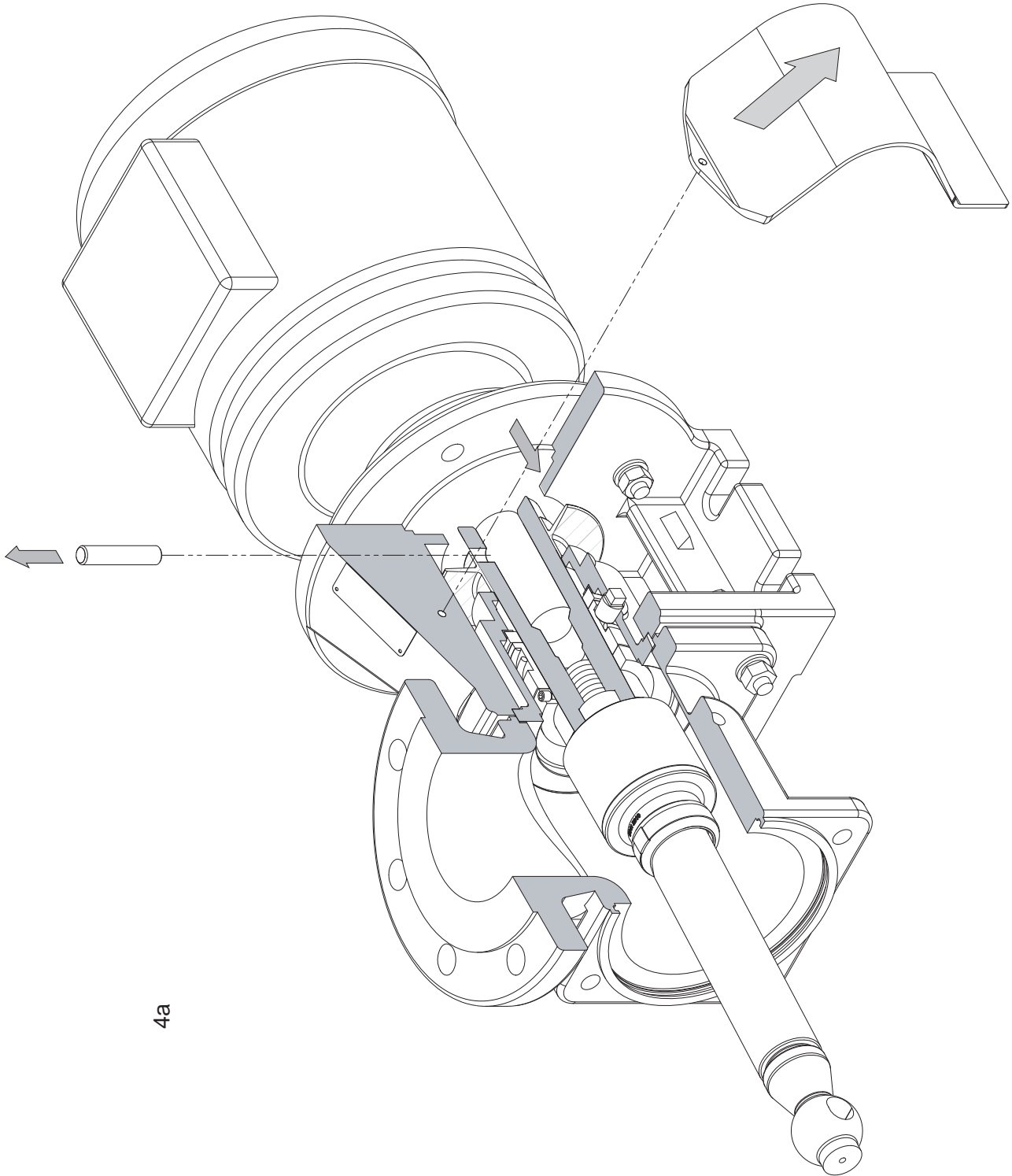
# Dismantling & Assembly Diagrams



4 - STAGE  
MODELS ONLY

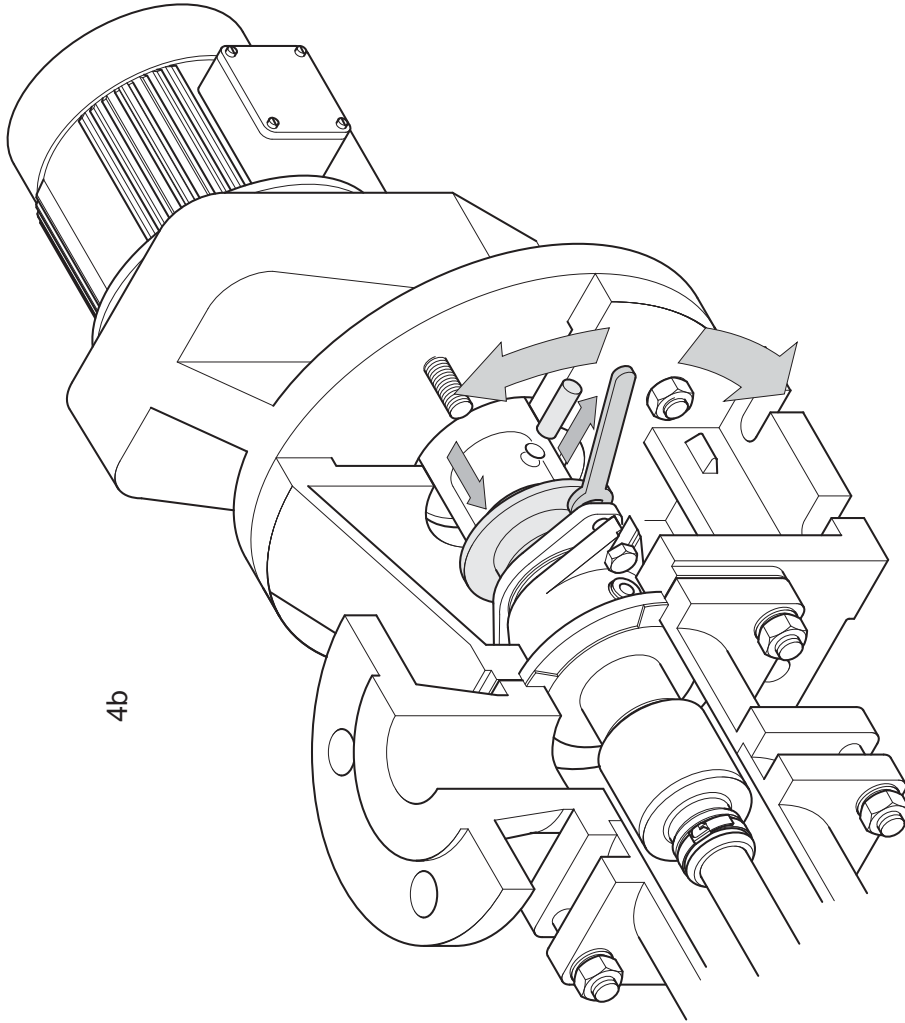
3

# Dismantling & Assembly Diagrams



4a

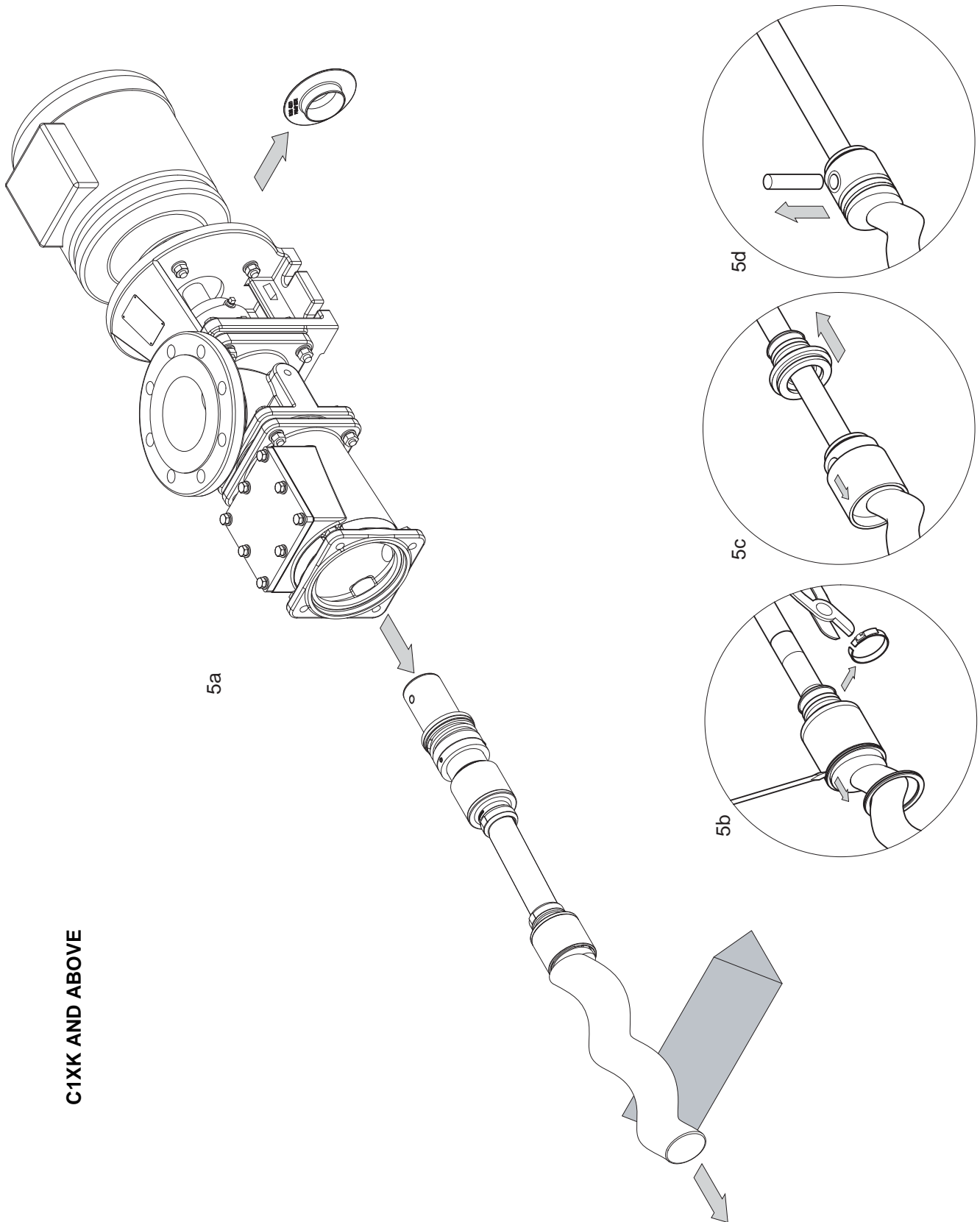
# Dismantling & Assembly Diagrams



4b

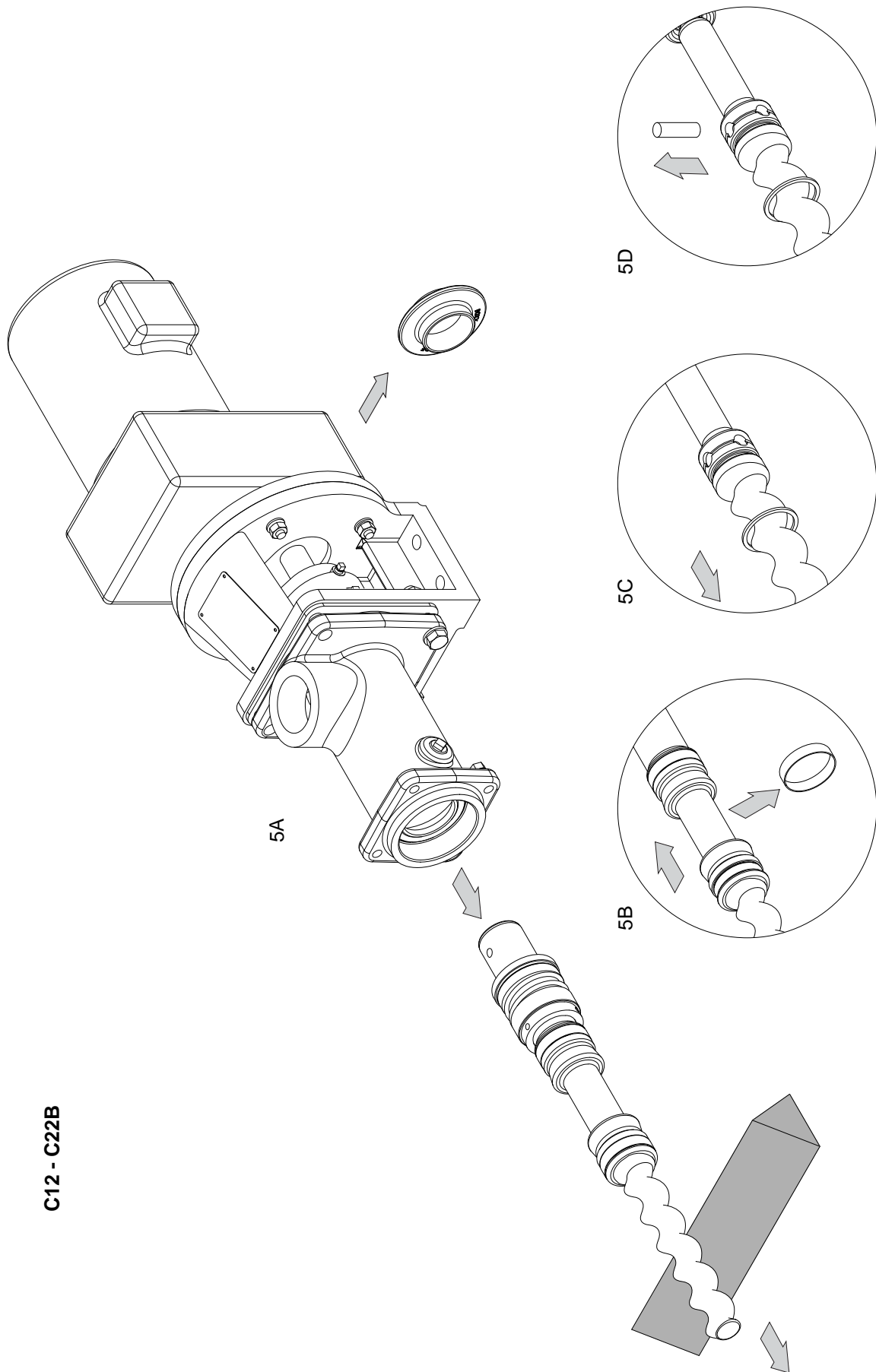
Only applicable if using packed gland pump

# Dismantling & Assembly Diagrams



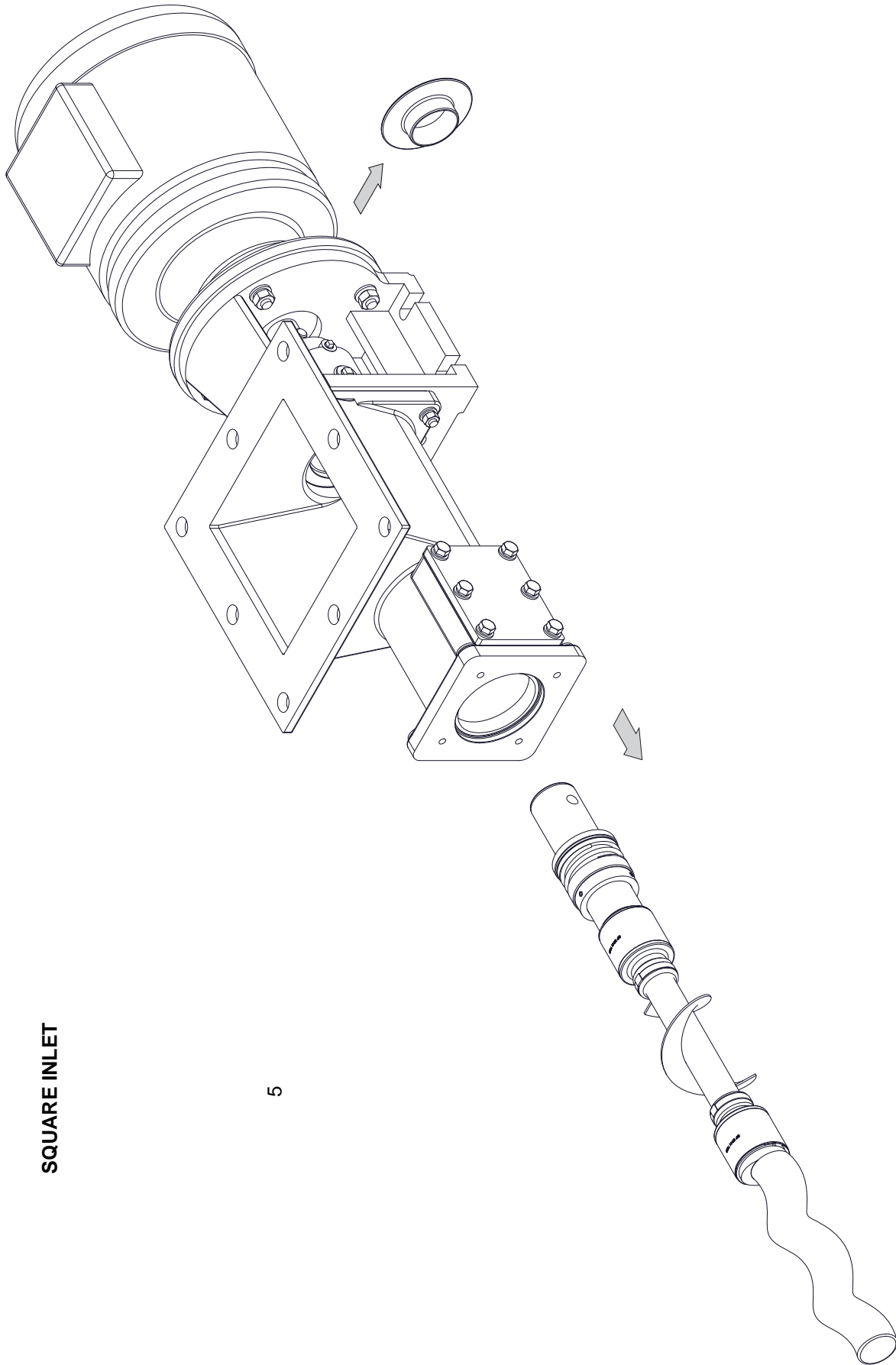
C1XK AND ABOVE

# Dismantling & Assembly Diagrams



C12 - C22B

# Dismantling & Assembly Diagrams



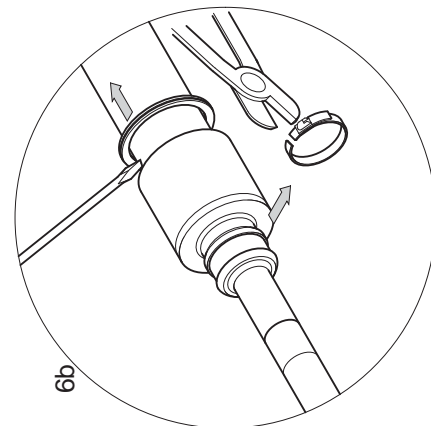
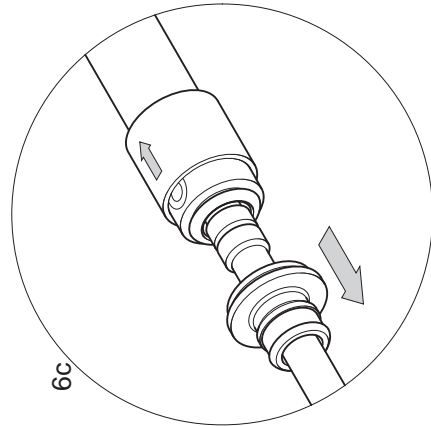
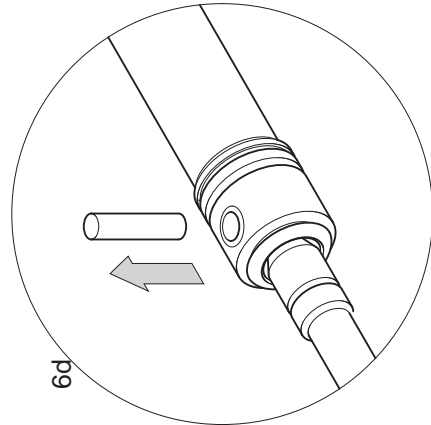
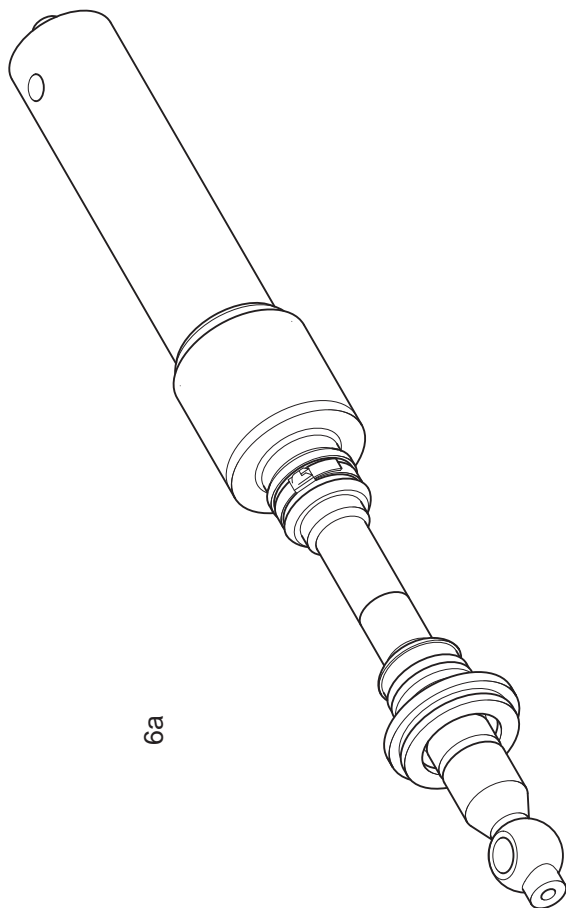
SQUARE INLET

5

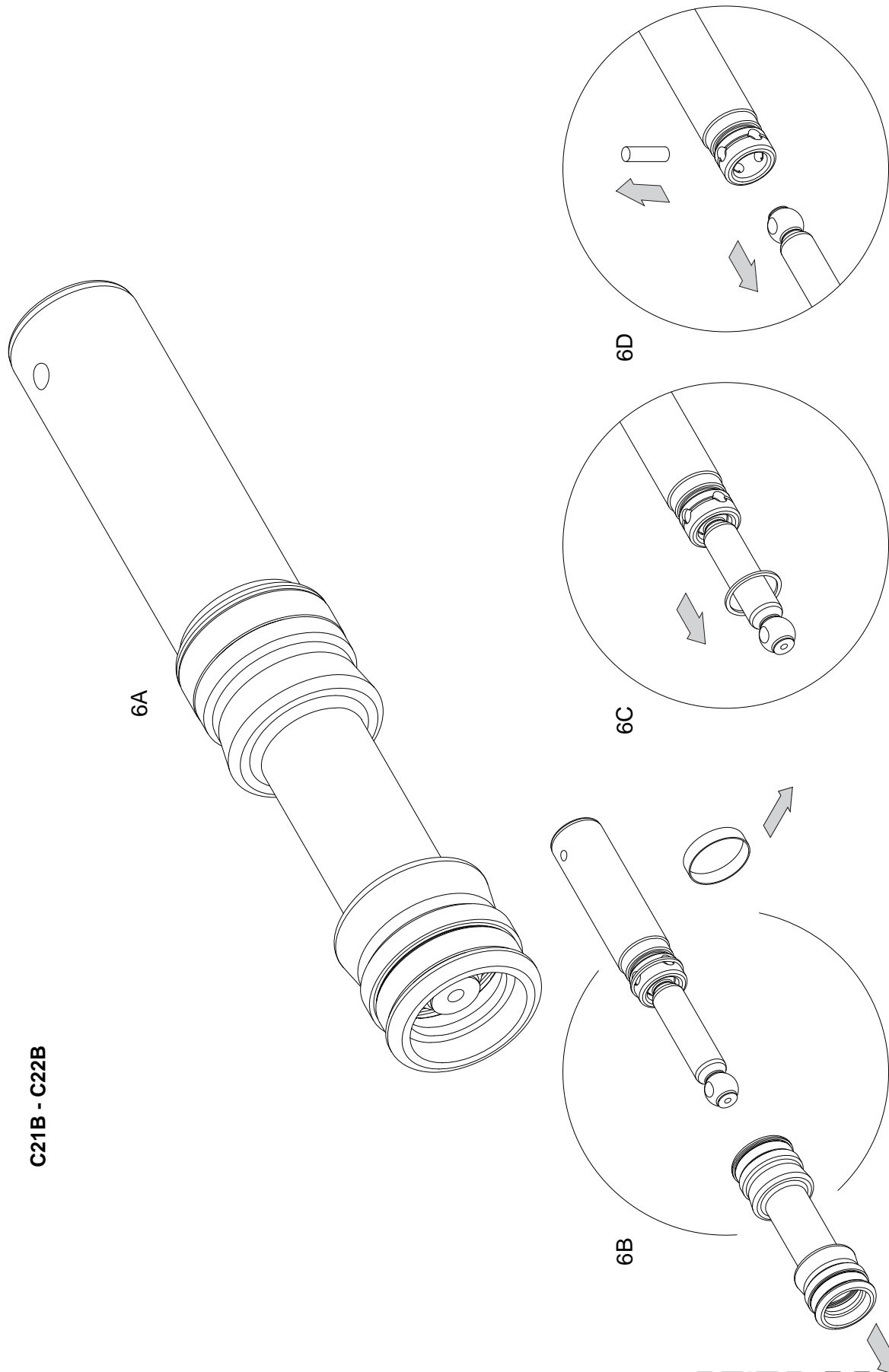


# Dismantling & Assembly Diagrams

C1XK AND ABOVE

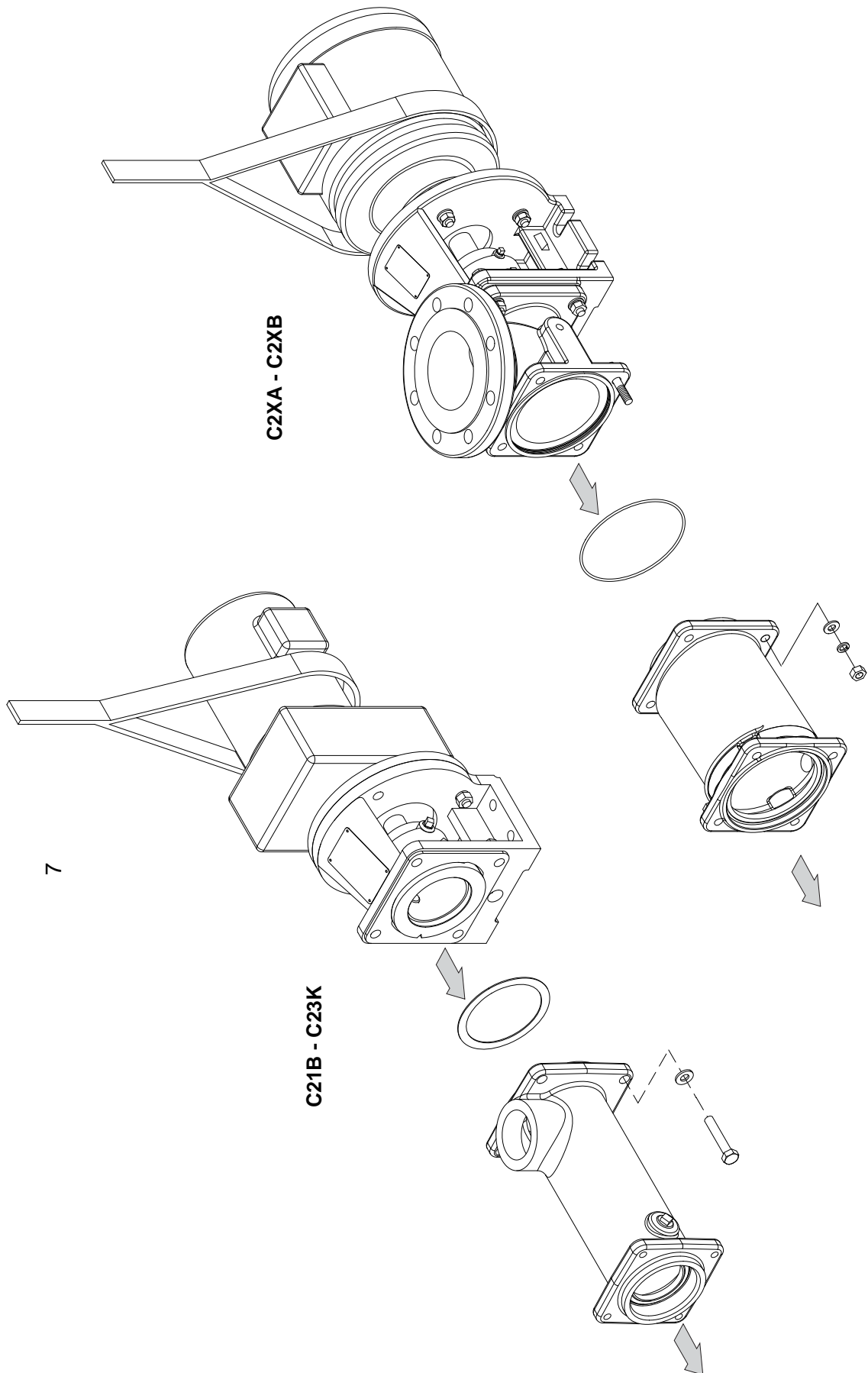


# Dismantling & Assembly Diagrams

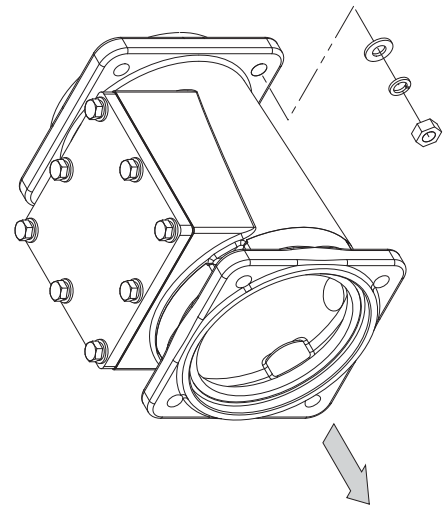
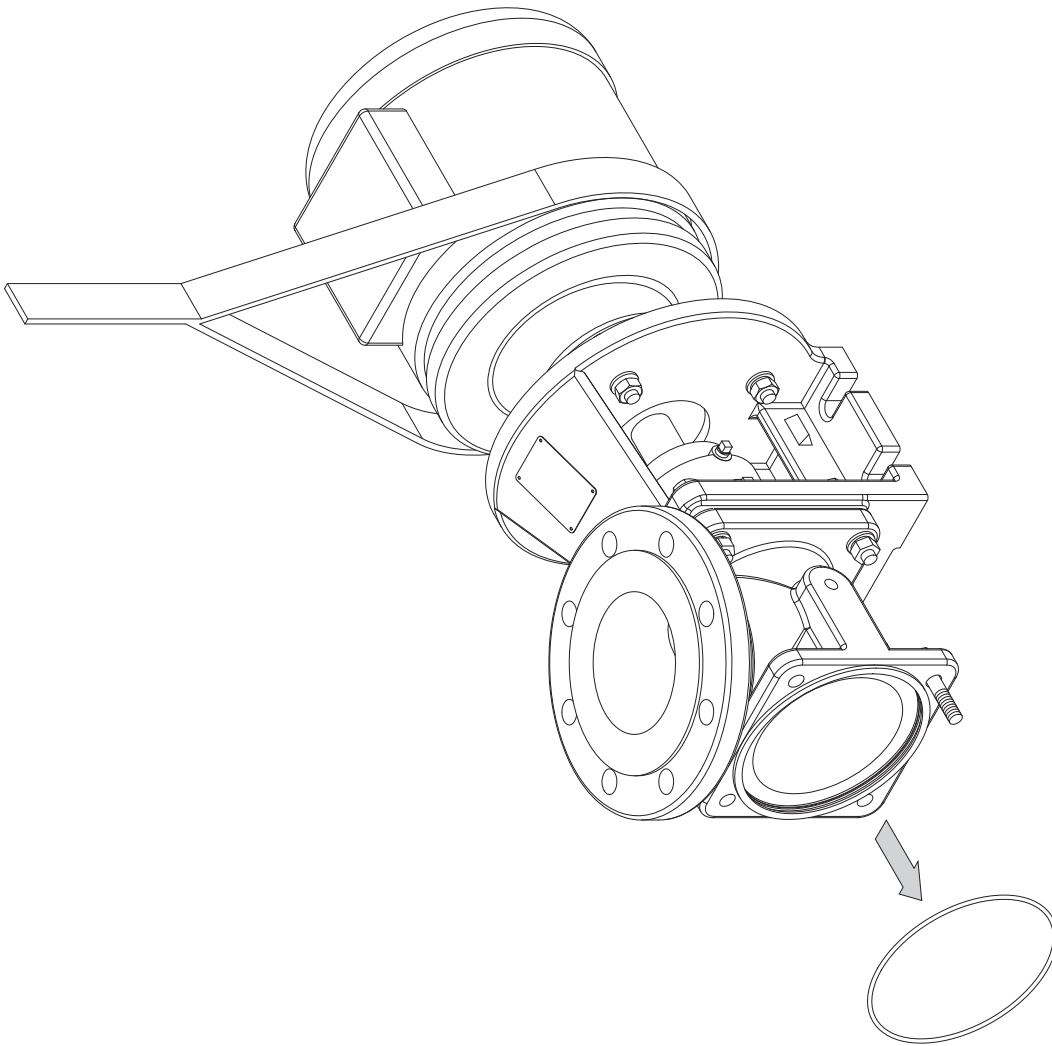


C21B - C22B

# Dismantling & Assembly Diagrams



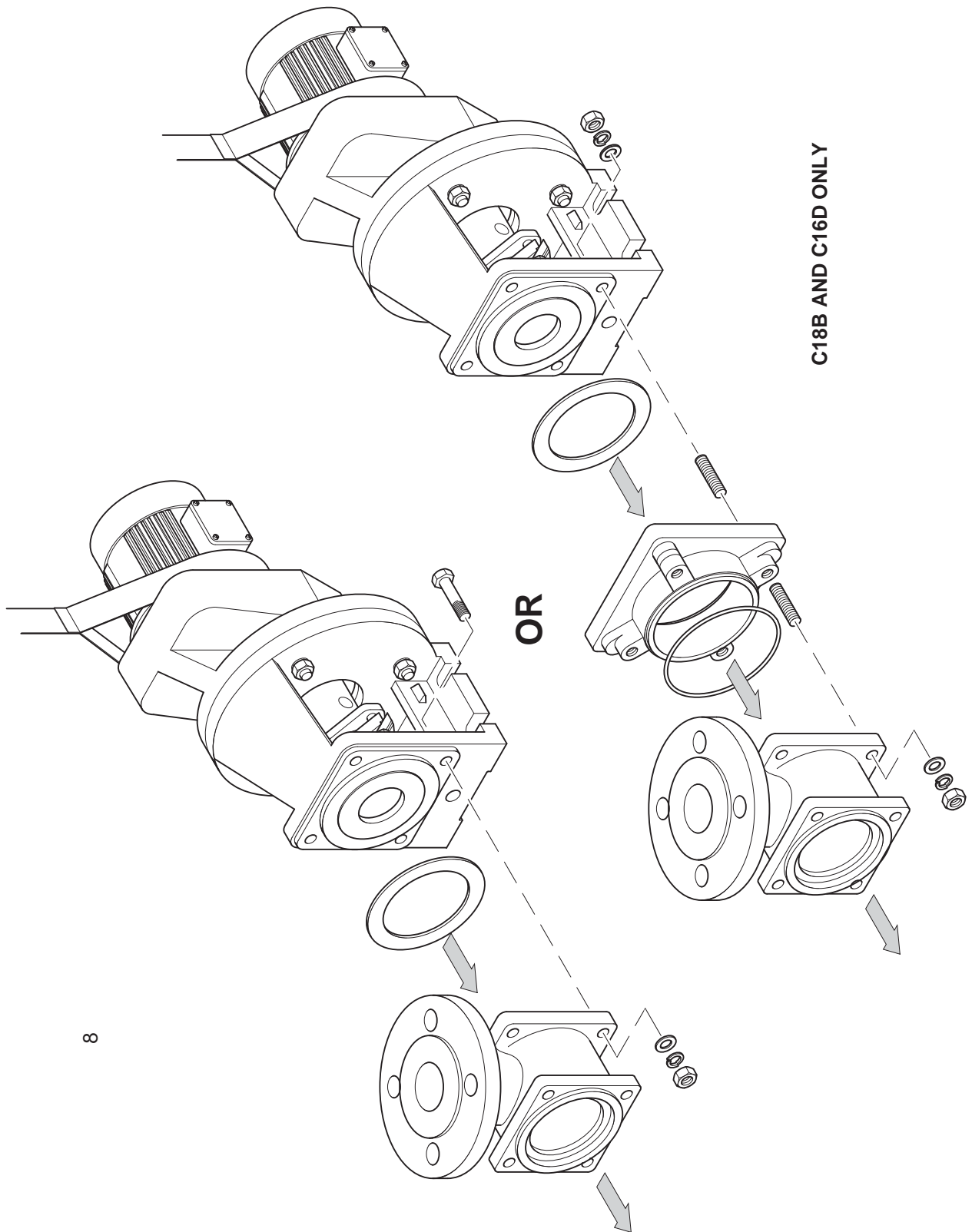
# Dismantling & Assembly Diagrams



NOT APPLICABLE TO SIZES BELOW C1XK

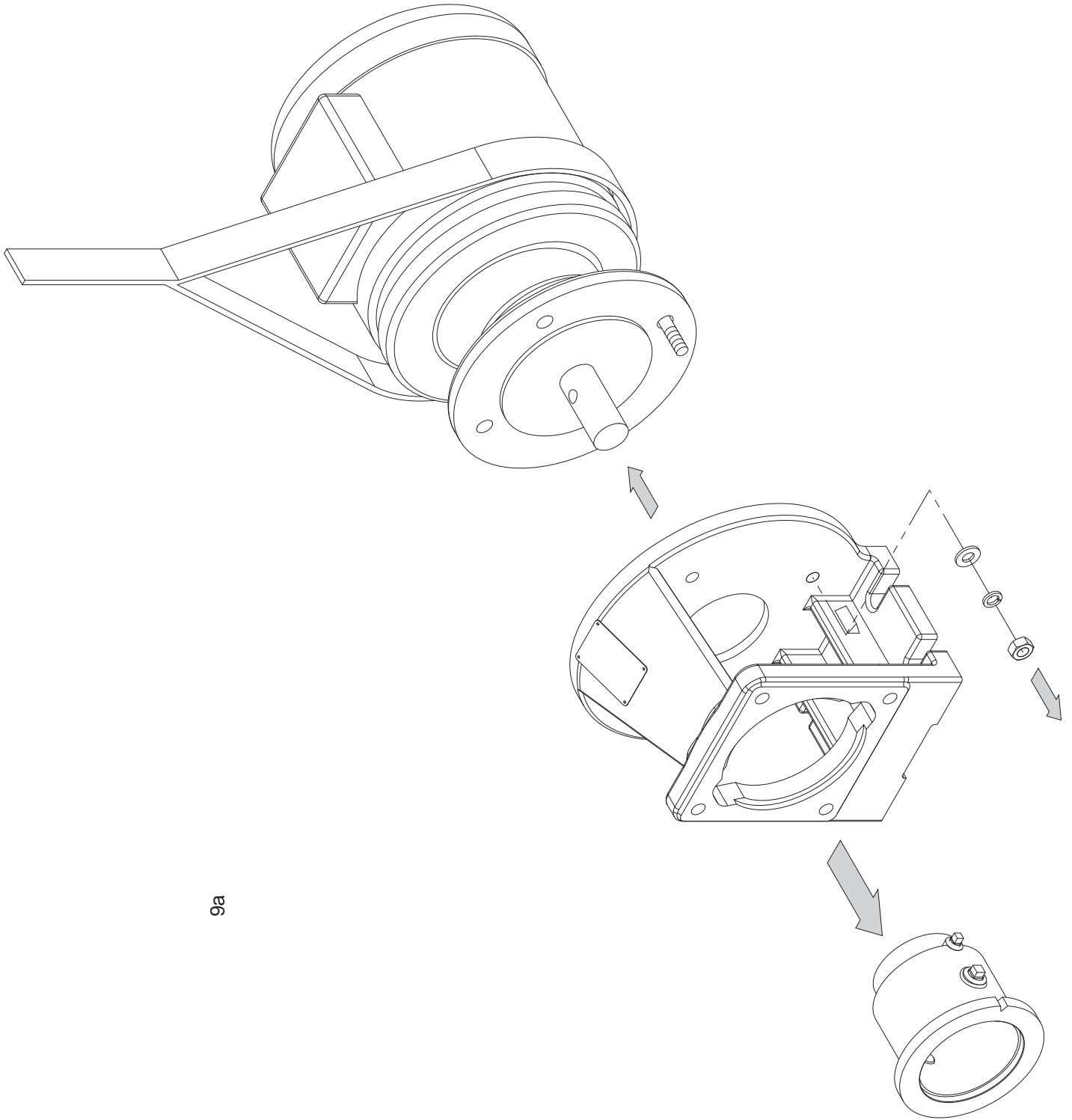
7

# Dismantling & Assembly Diagrams



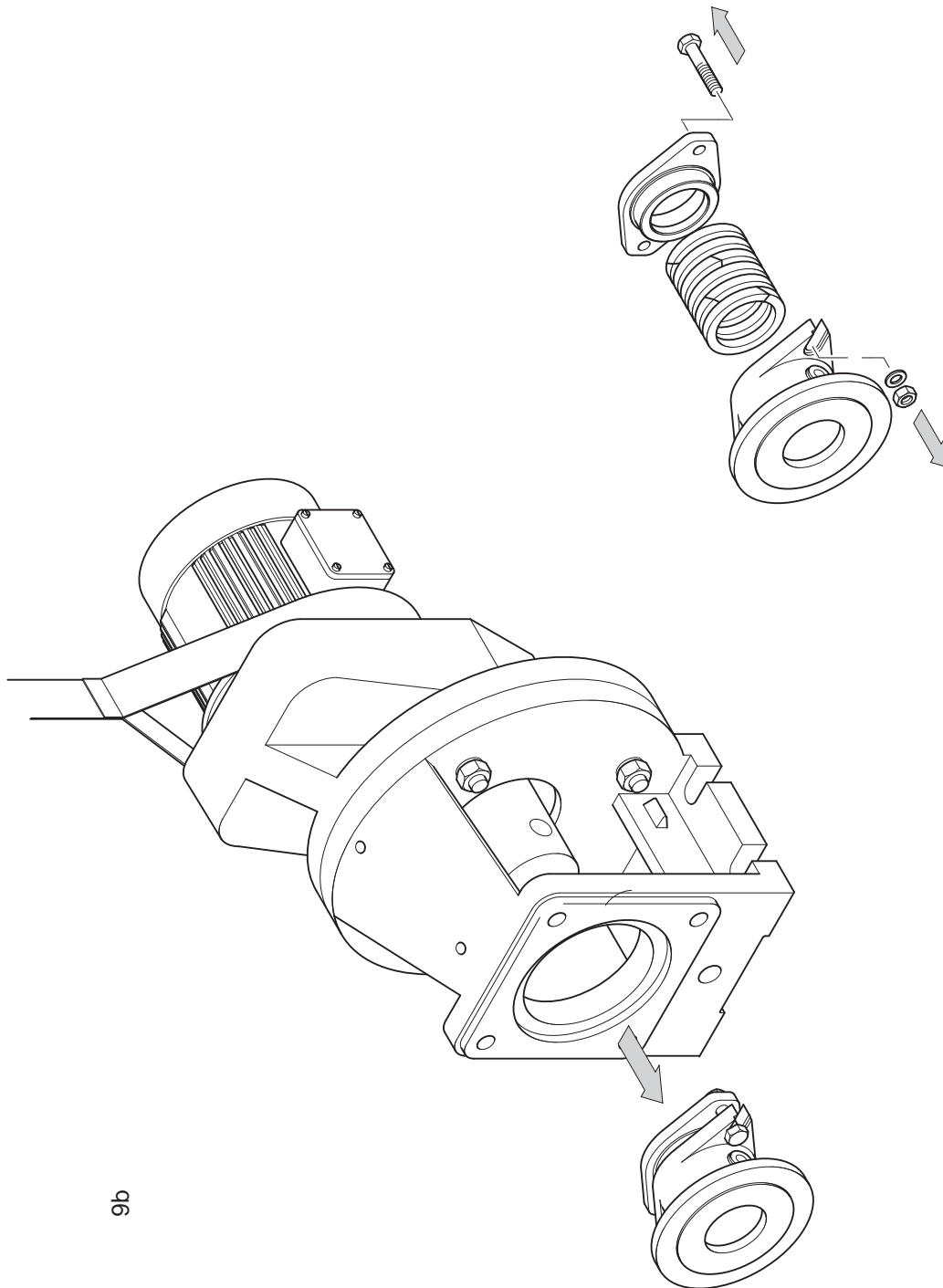
8

# Dismantling & Assembly Diagrams



9a

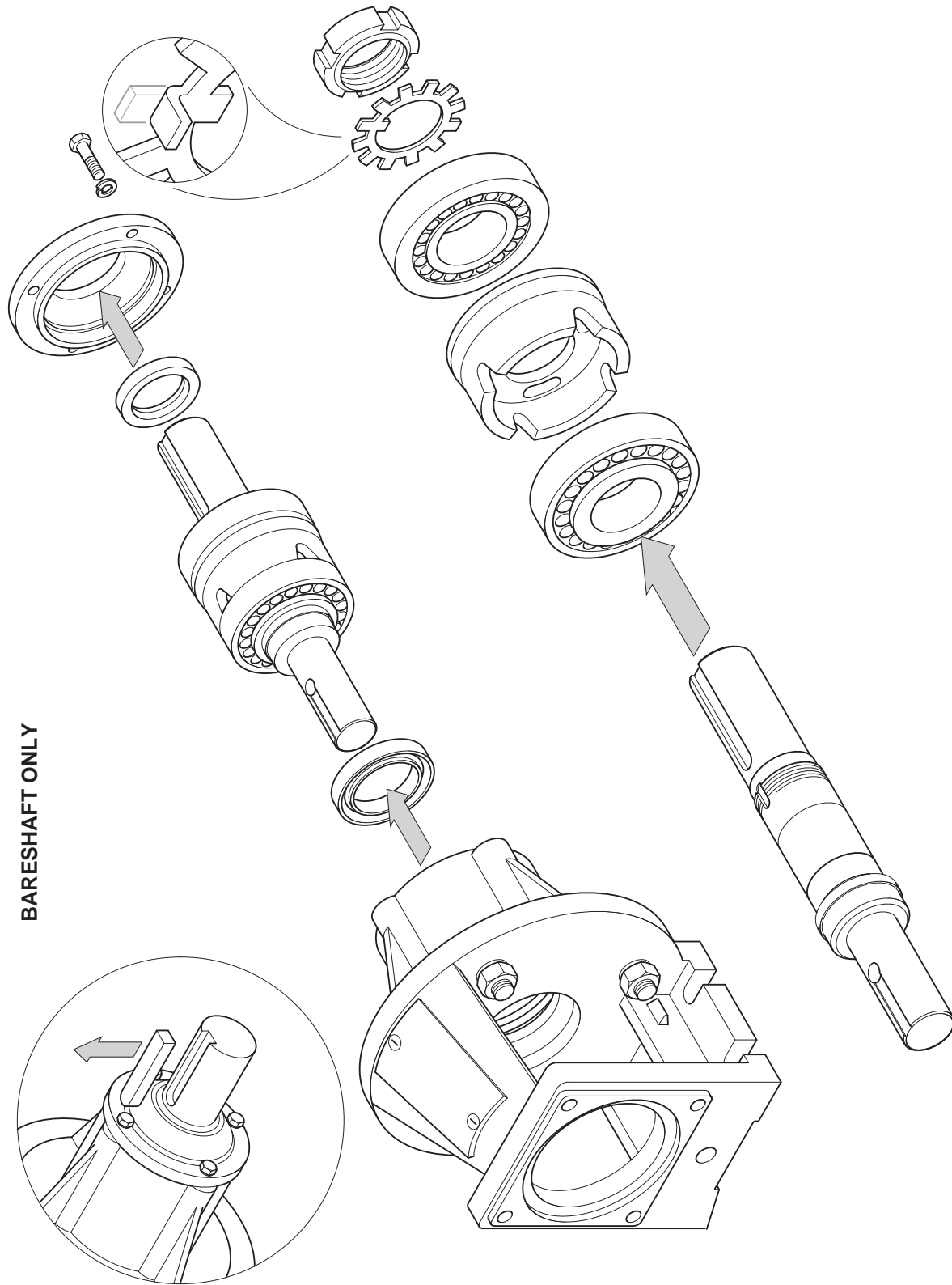
# Dismantling & Assembly Diagrams



9b

ONLY APPLICABLE IF USING PACKED GLAND PUMP

# Dismantling & Assembly Diagrams

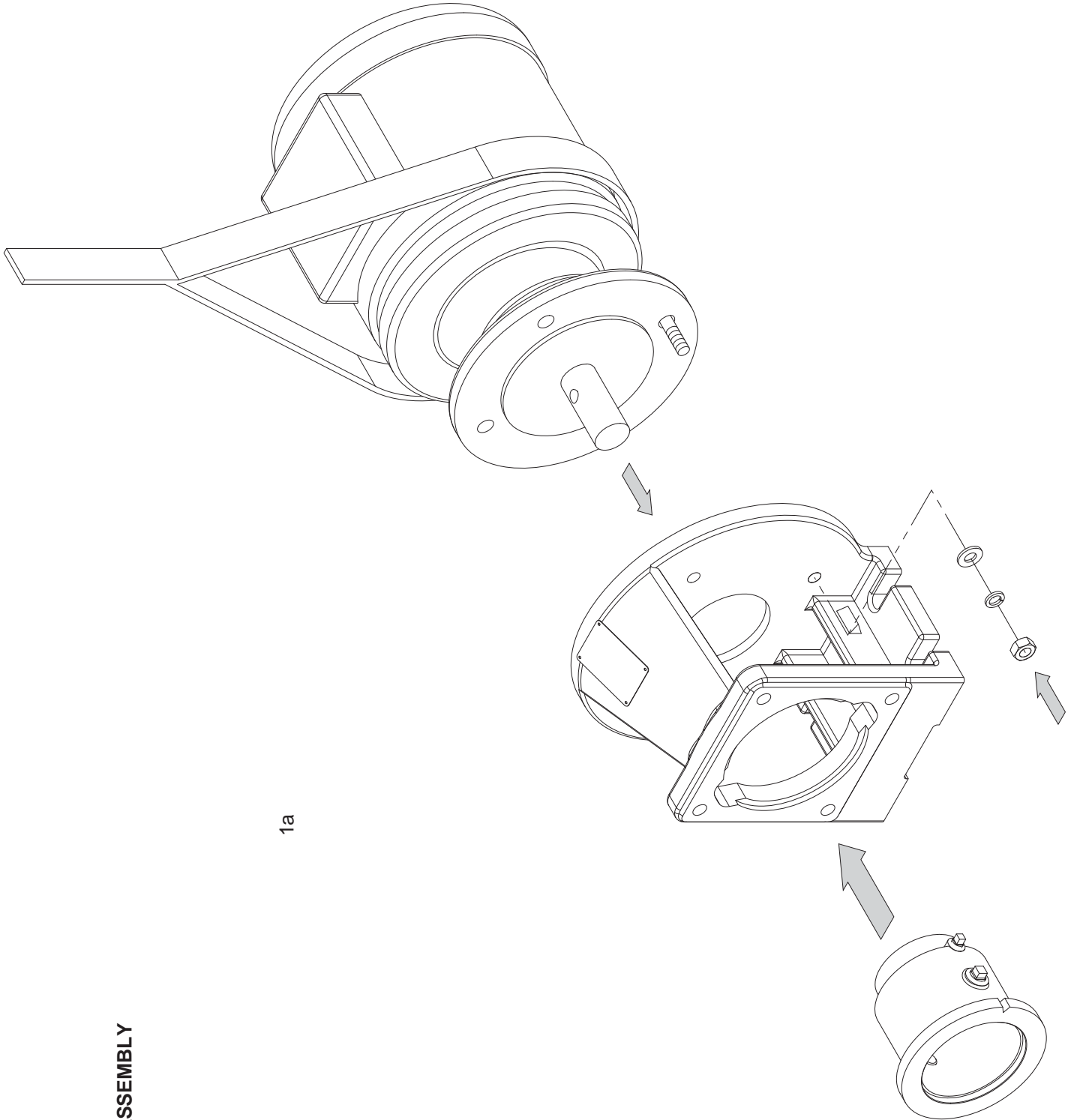


BARESHAFTE ONLY

10

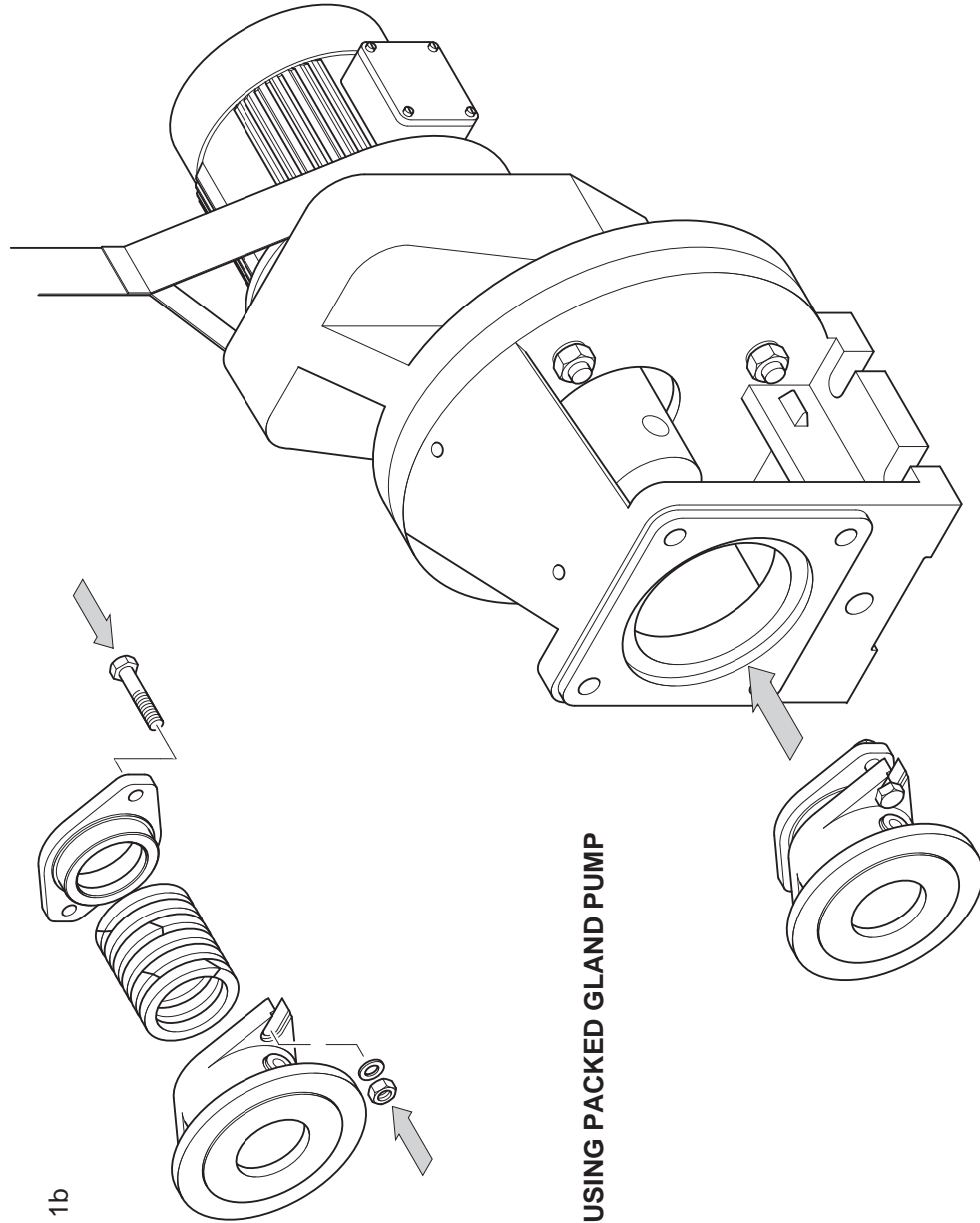


# Dismantling & Assembly Diagrams

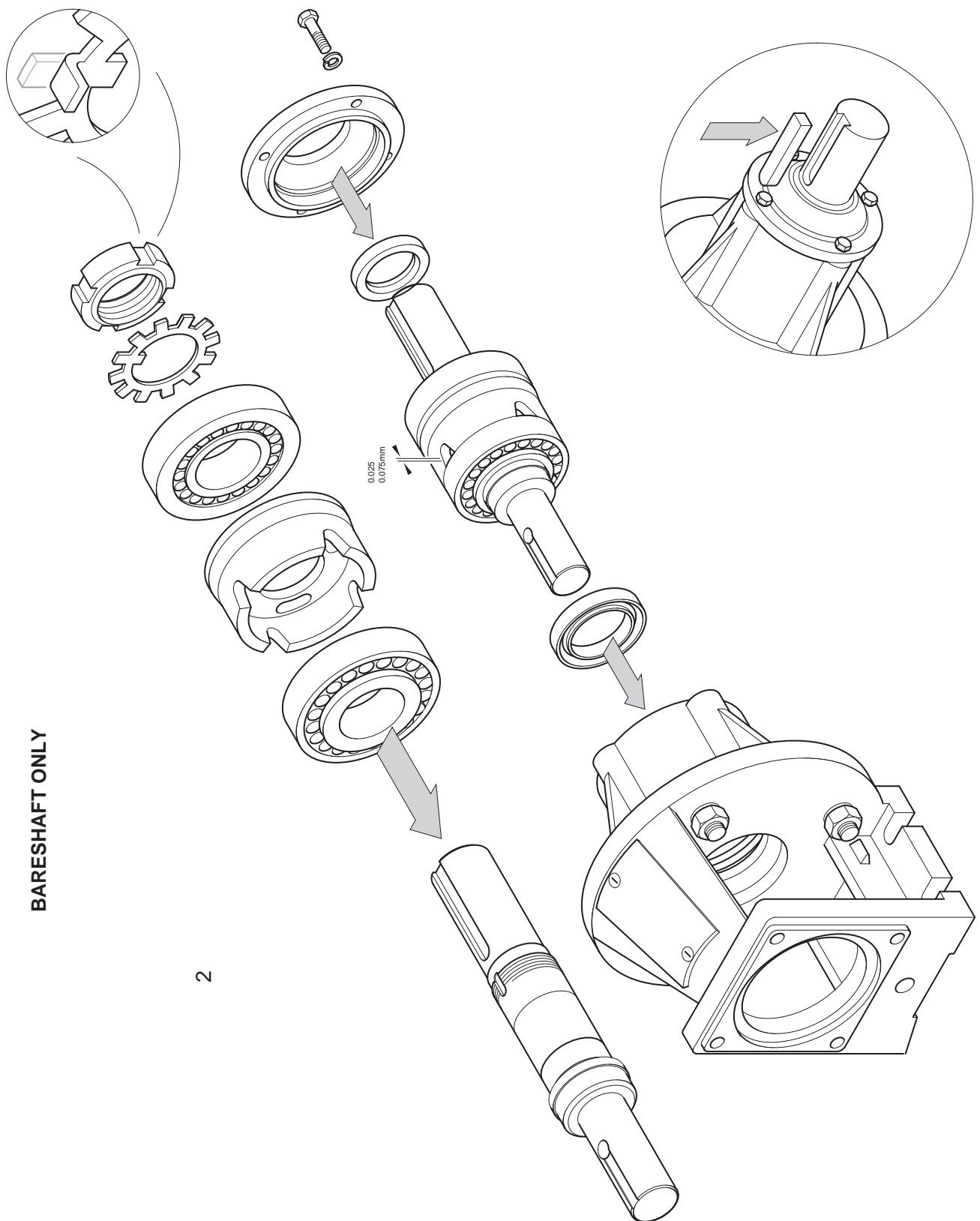


ASSEMBLY

# Dismantling & Assembly Diagrams



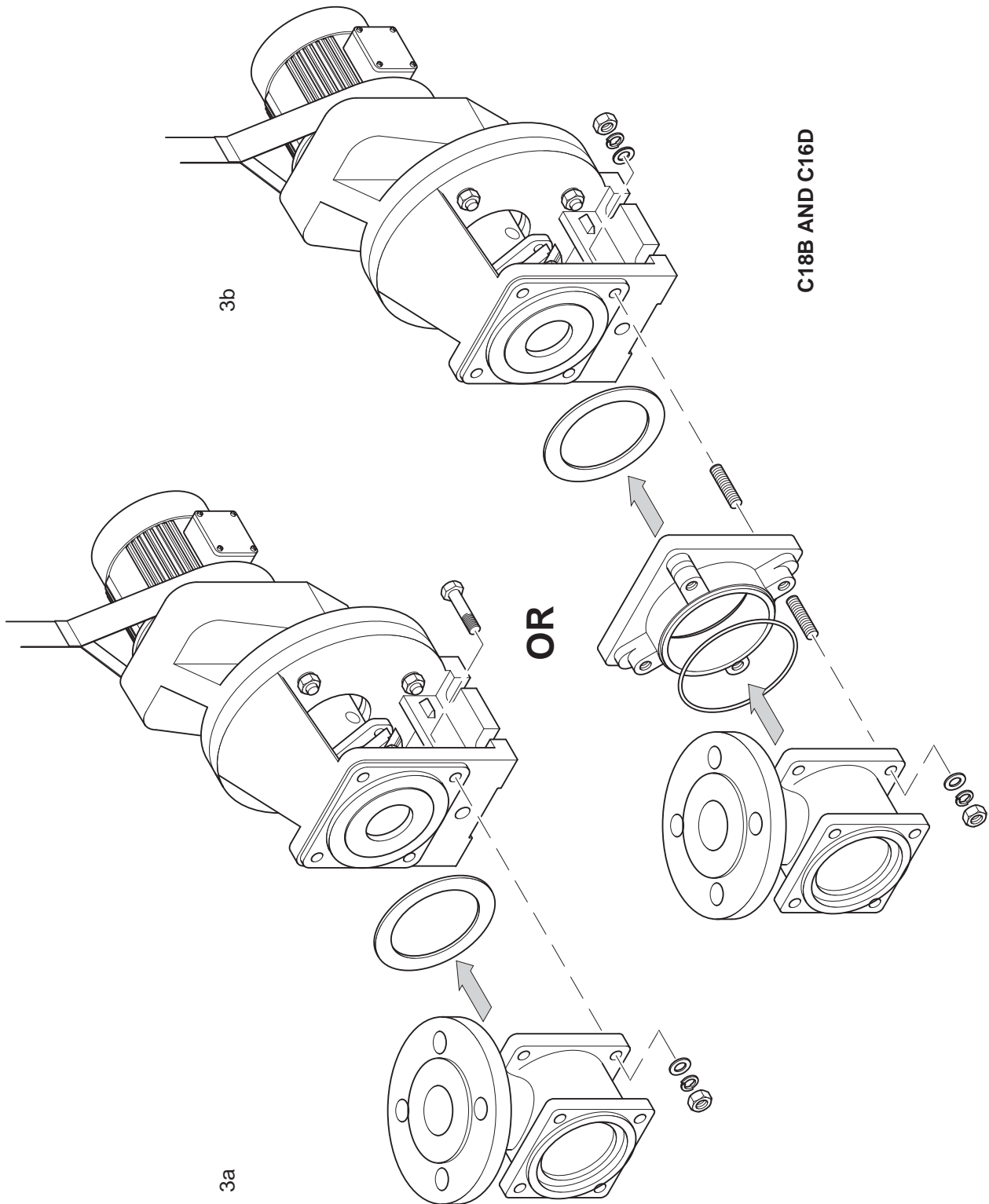
# Dismantling & Assembly Diagrams



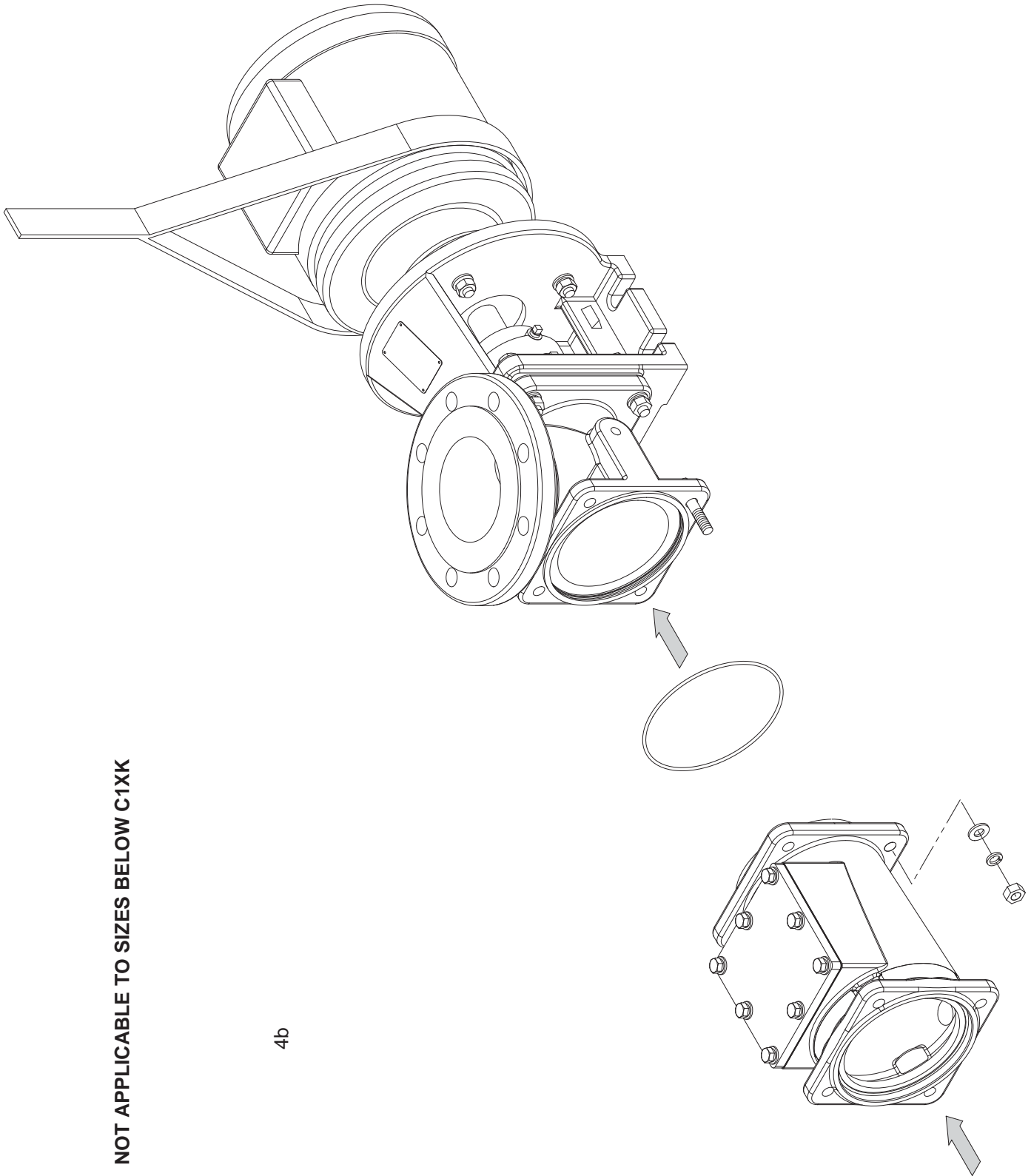
BARESHAFT ONLY

2

# Dismantling & Assembly Diagrams



# Dismantling & Assembly Diagrams

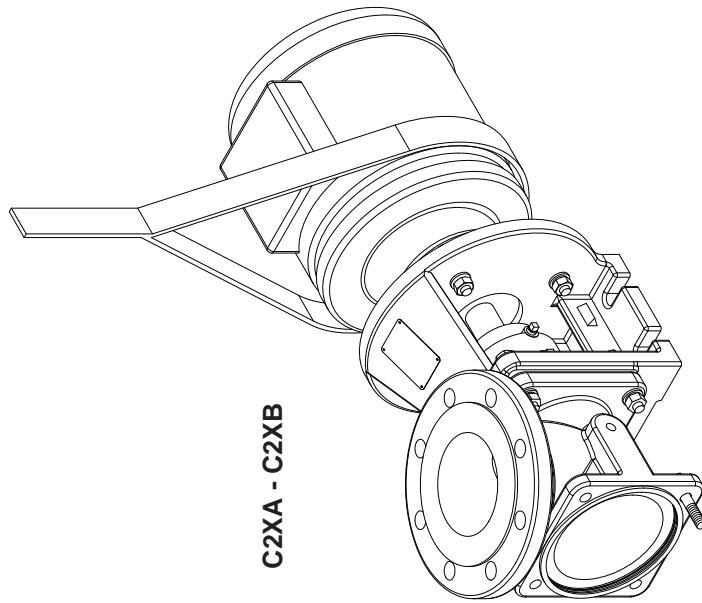


NOT APPLICABLE TO SIZES BELOW C1XK

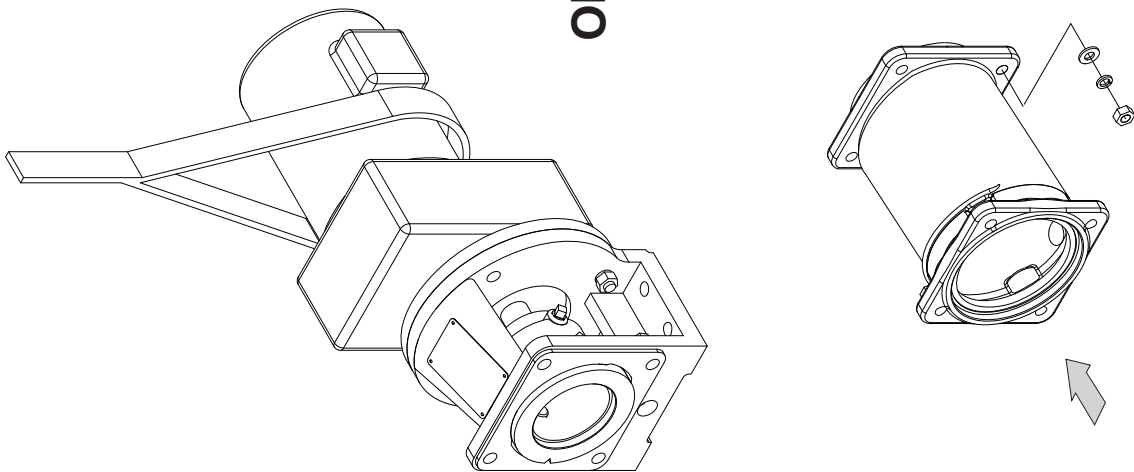
4b

# Dismantling & Assembly Diagrams

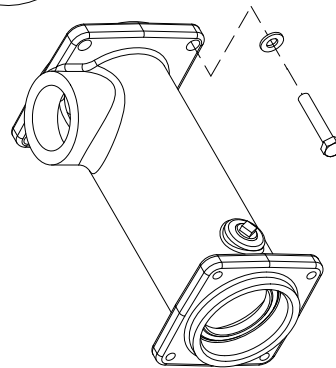
4c



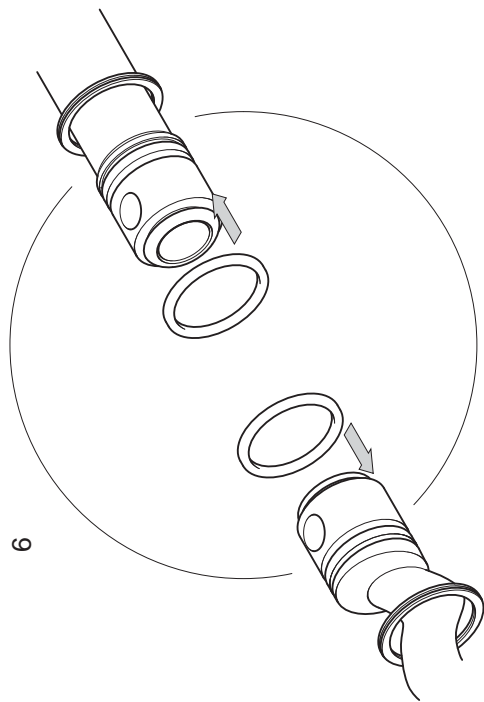
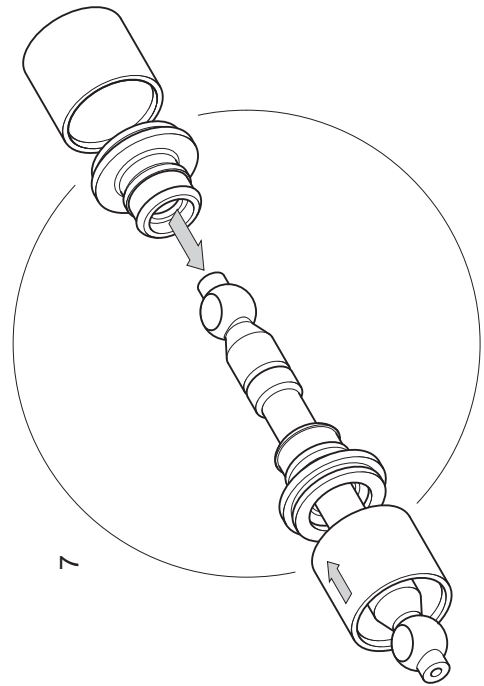
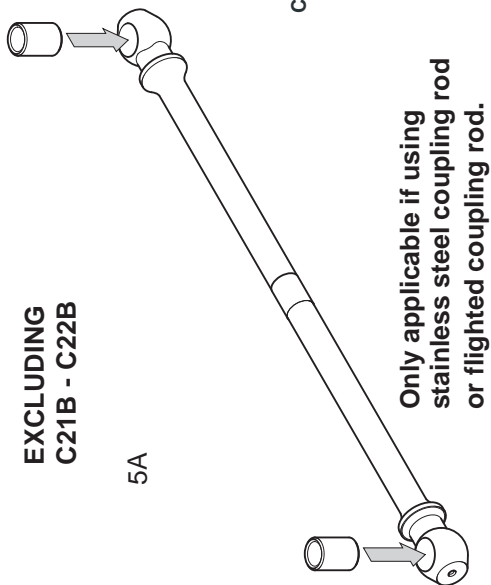
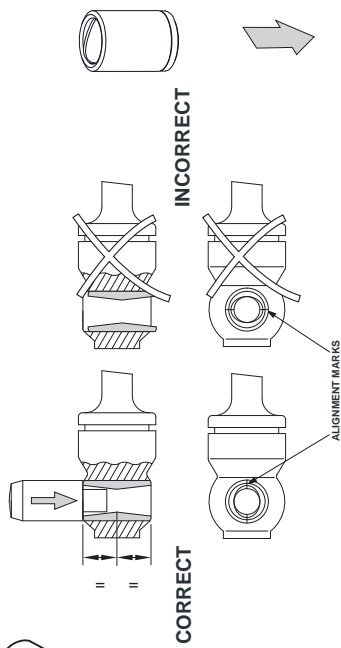
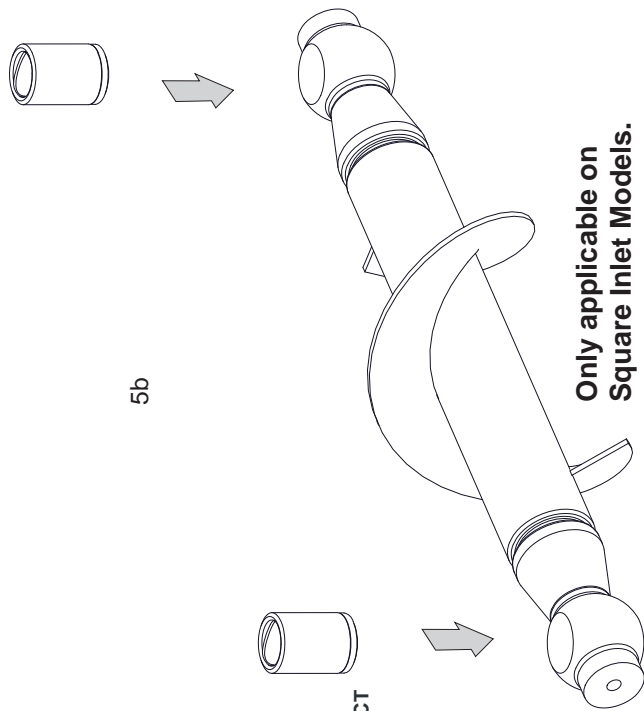
OR



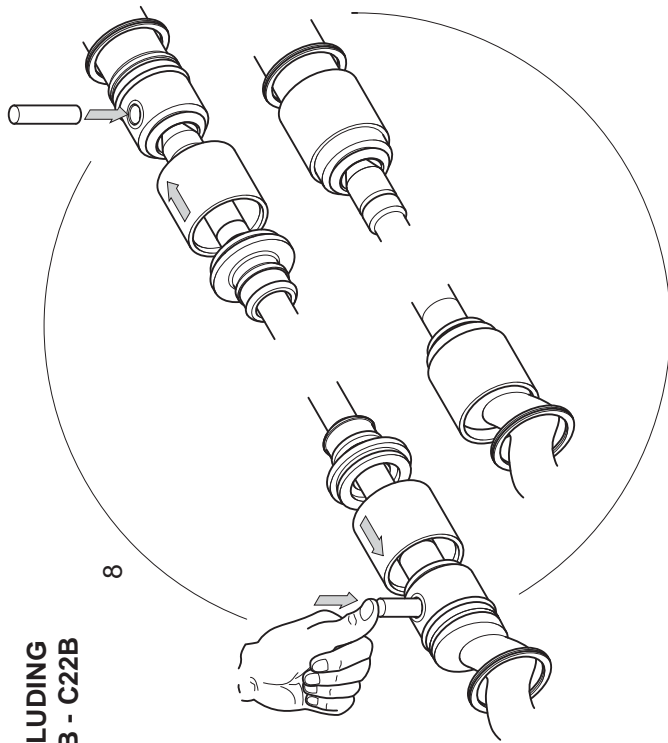
4b



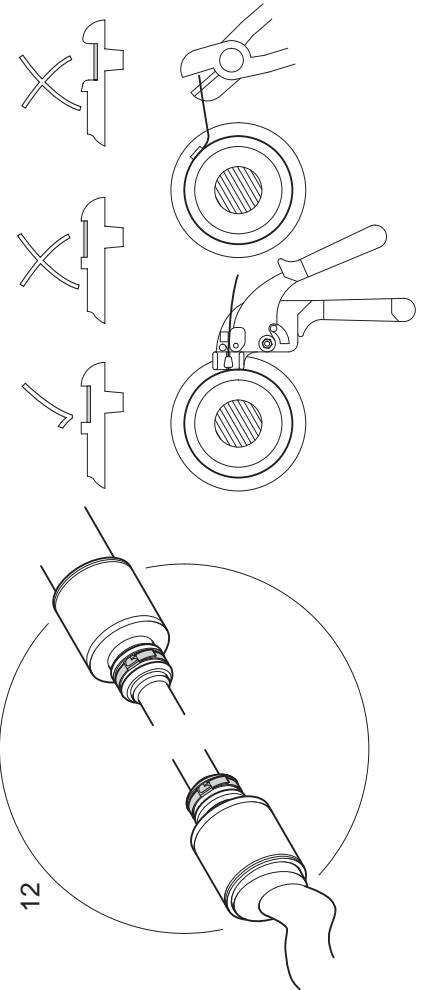
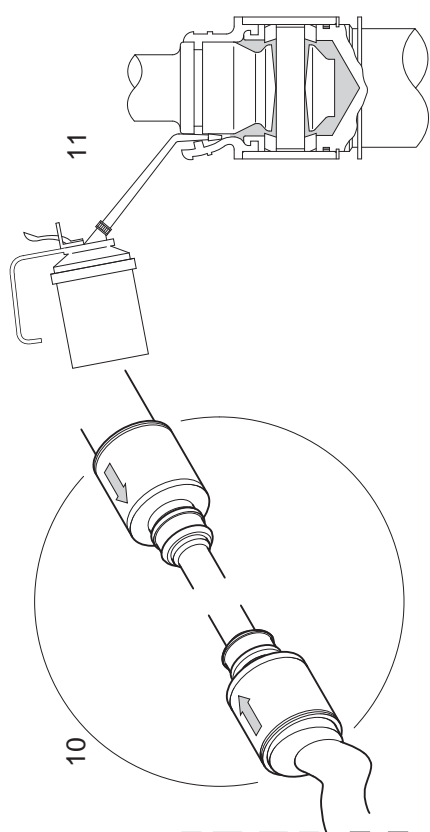
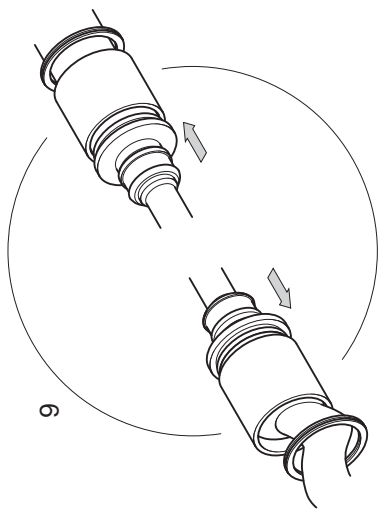
# Dismantling & Assembly Diagrams



# Dismantling & Assembly Diagrams



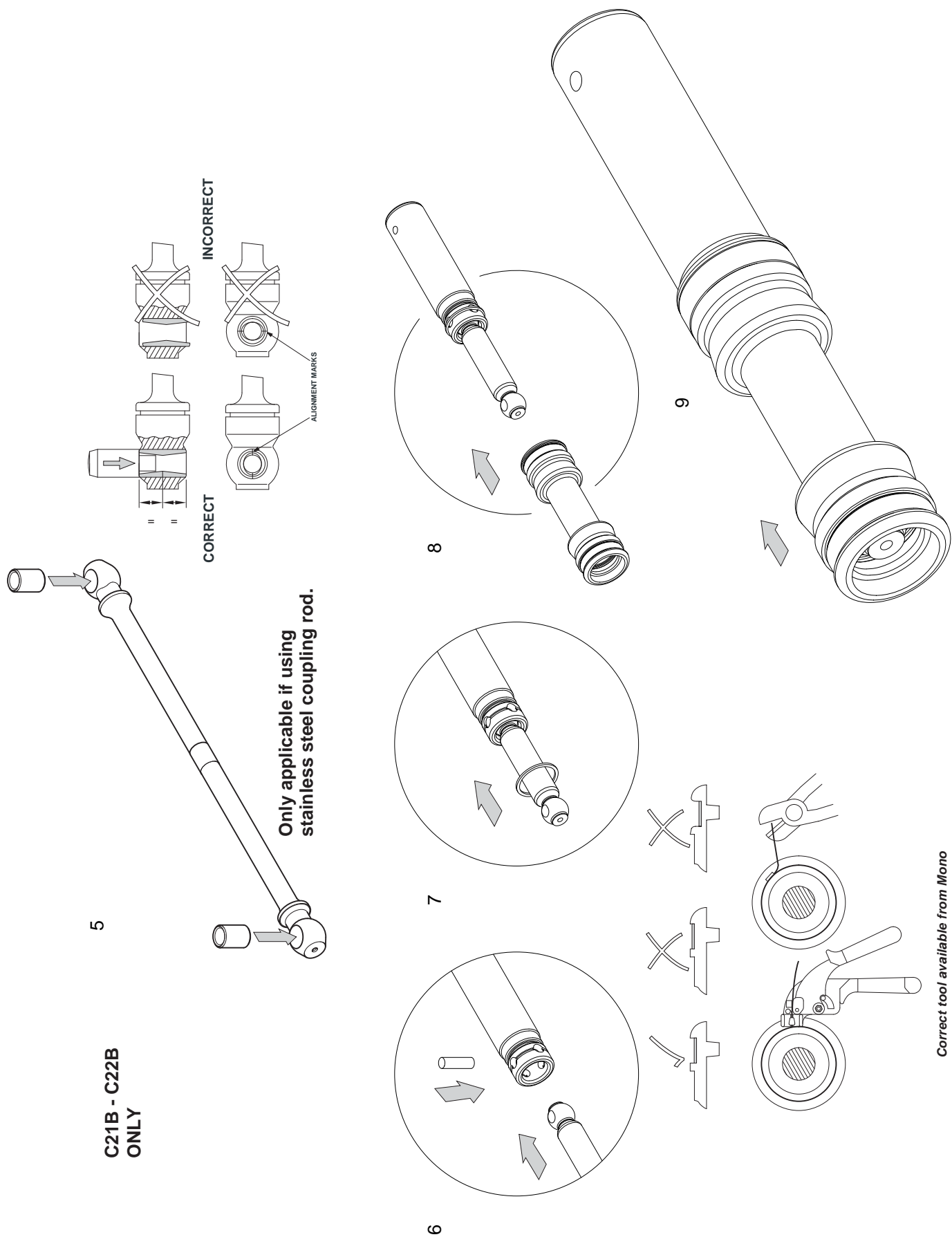
**EXCLUDING  
C21B - C22B**



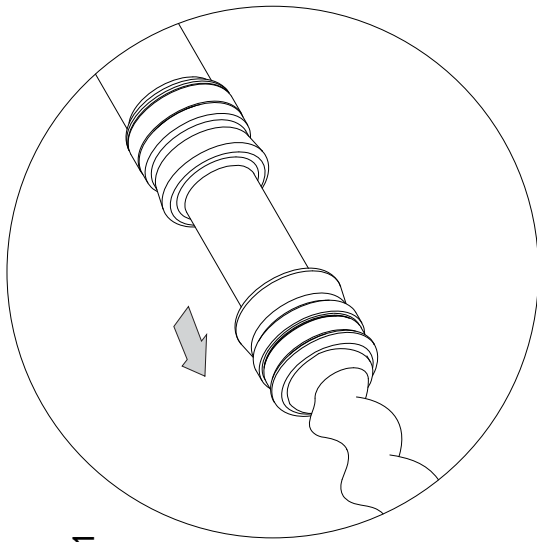
Correct tool available from Mono  
Part Number: 80D1331



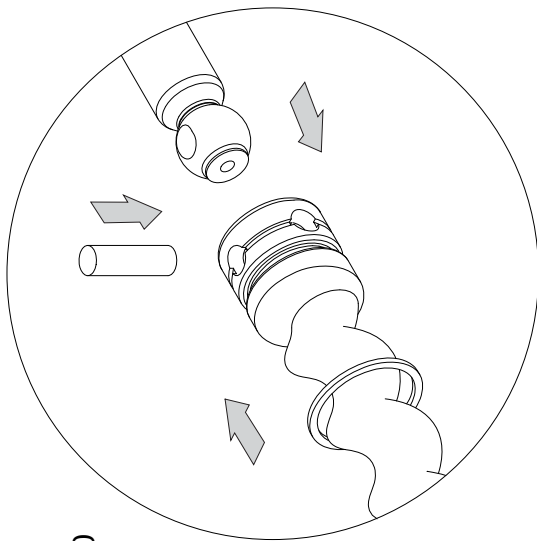
# Dismantling & Assembly Diagrams



# Dismantling & Assembly Diagrams

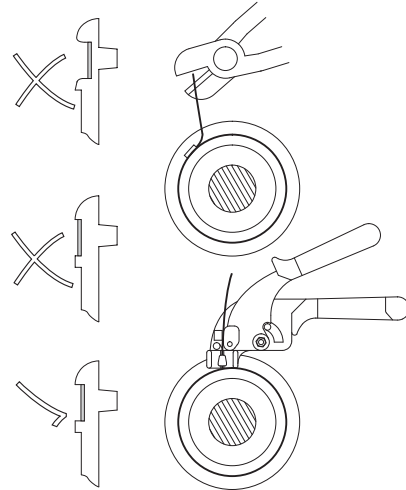


11

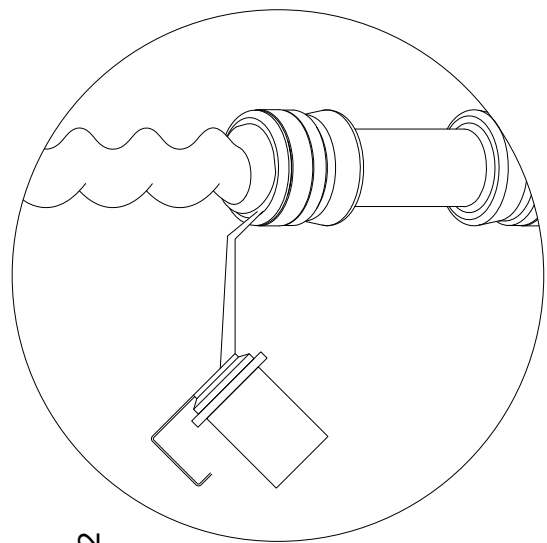


10

C21B - C22B  
ONLY

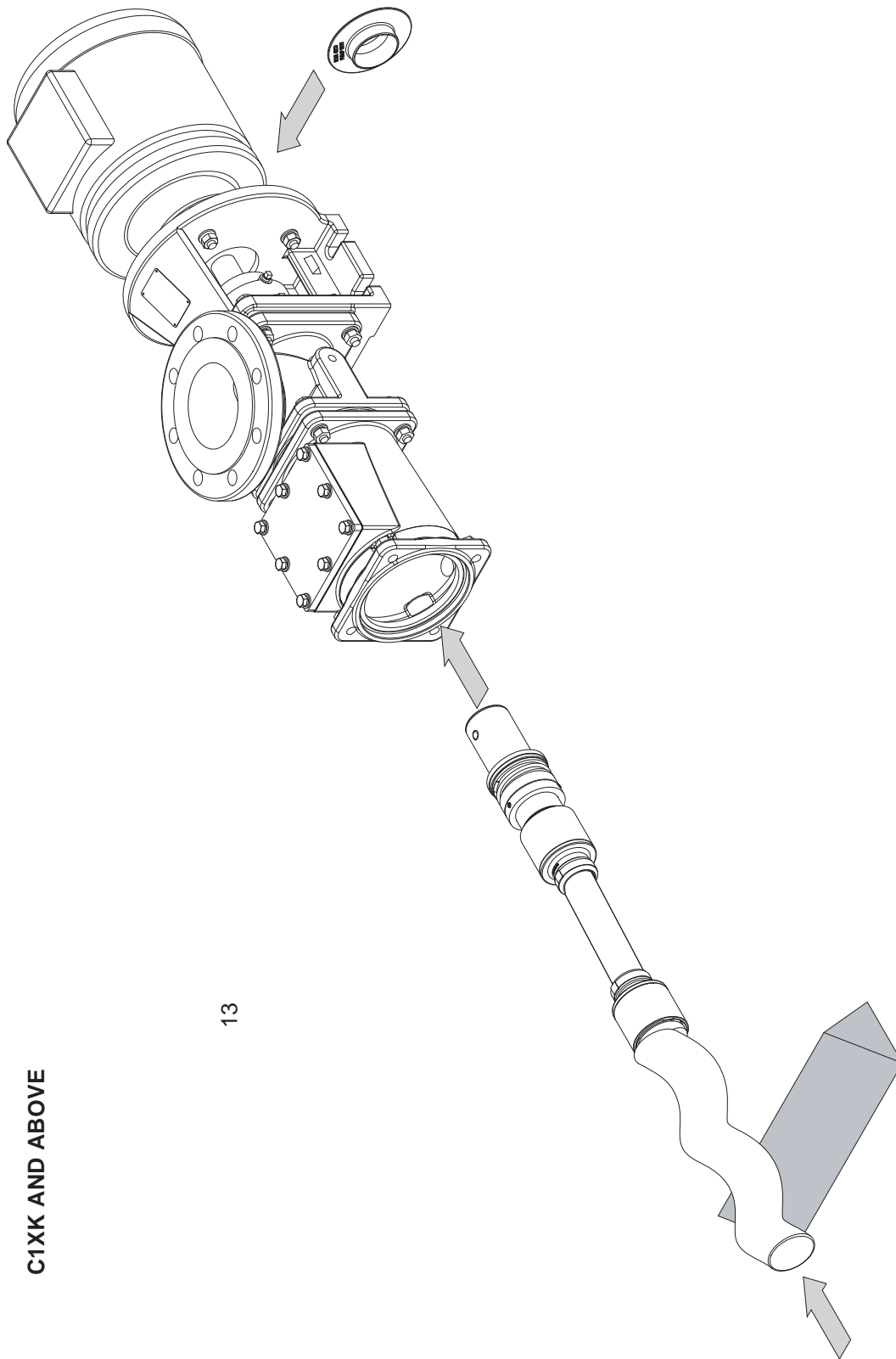


Correct tool available from Mono  
Part Number: 80D1331



12

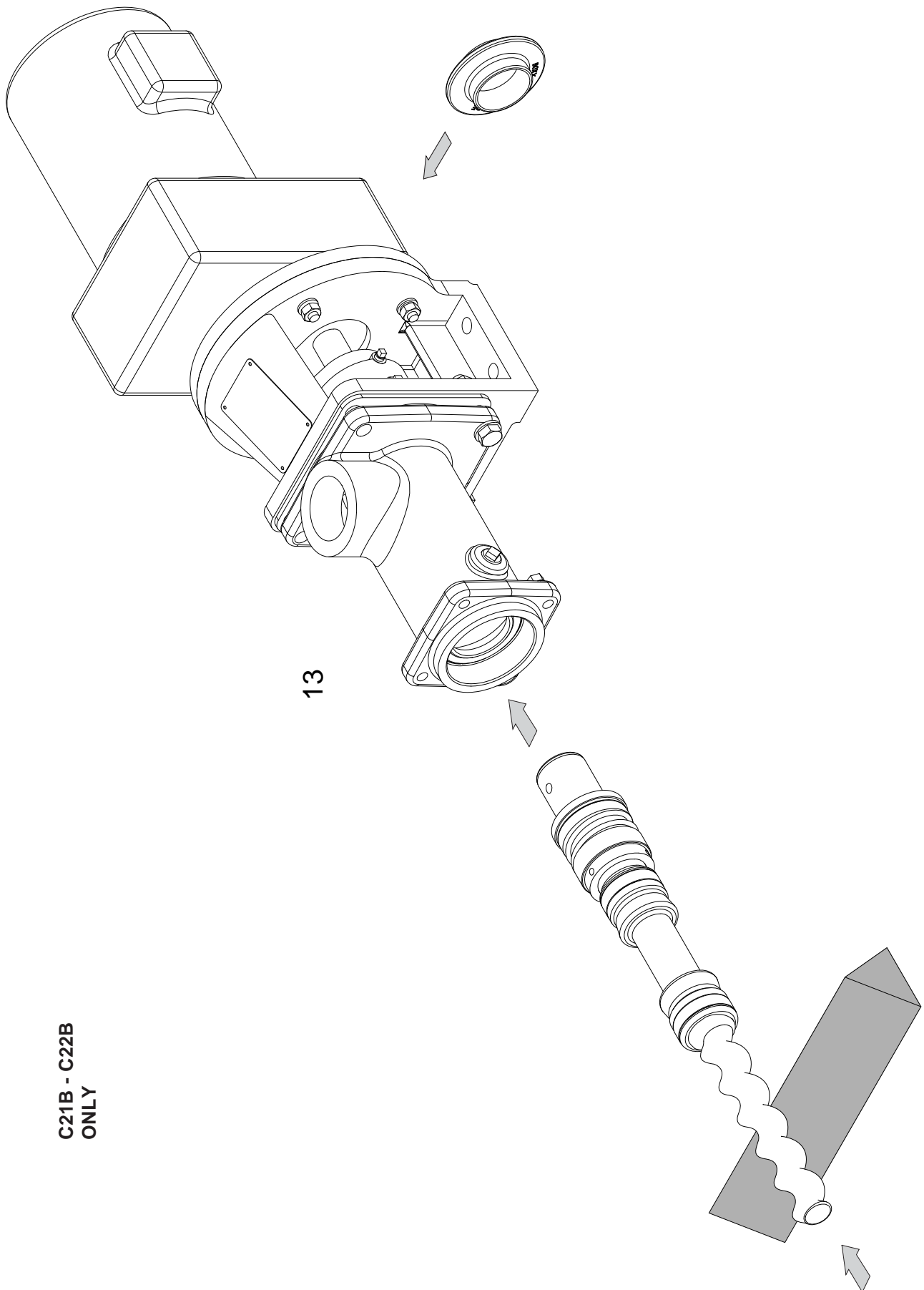
# Dismantling & Assembly Diagrams



C1XK AND ABOVE

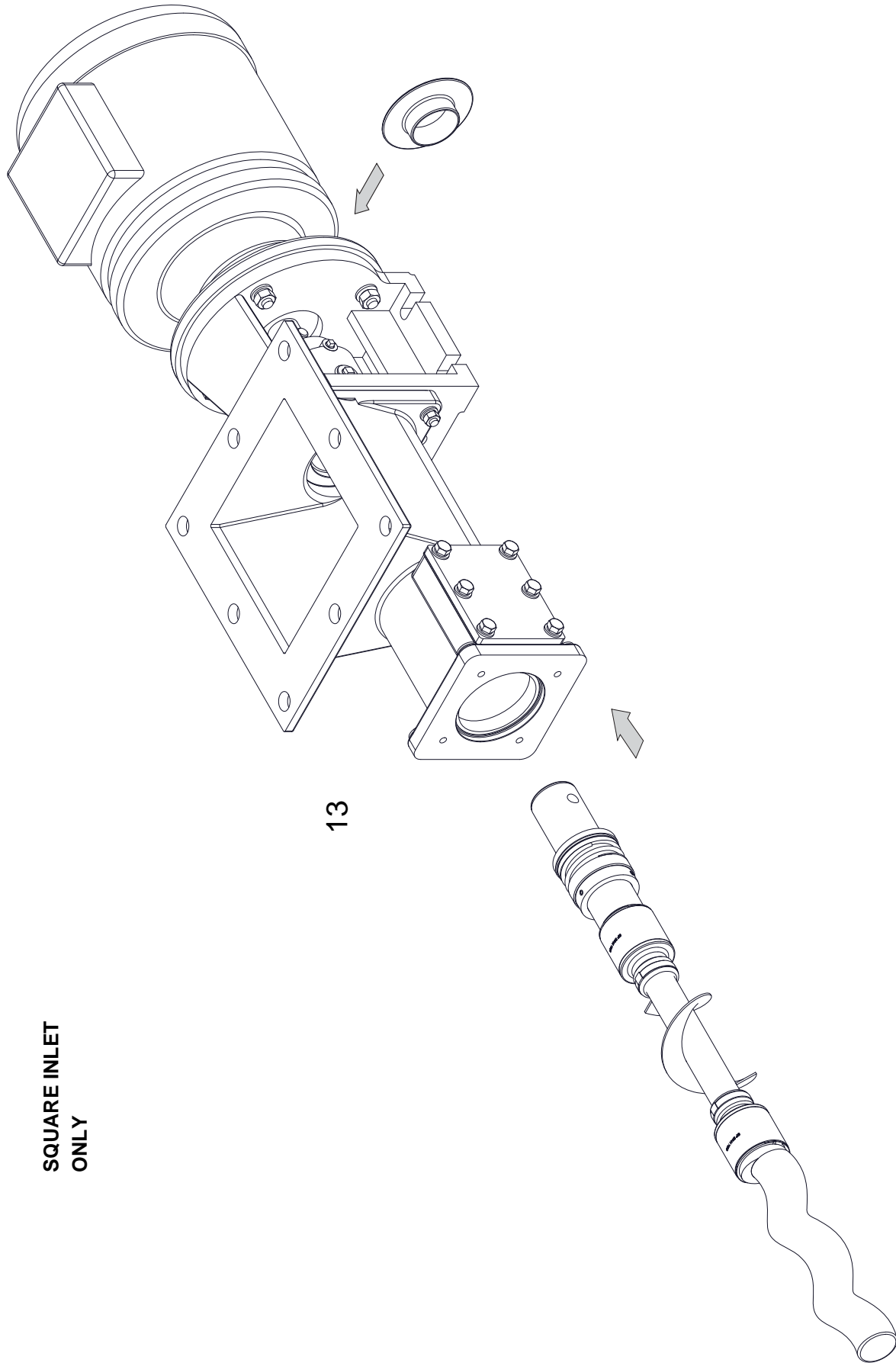
13

# Dismantling & Assembly Diagrams

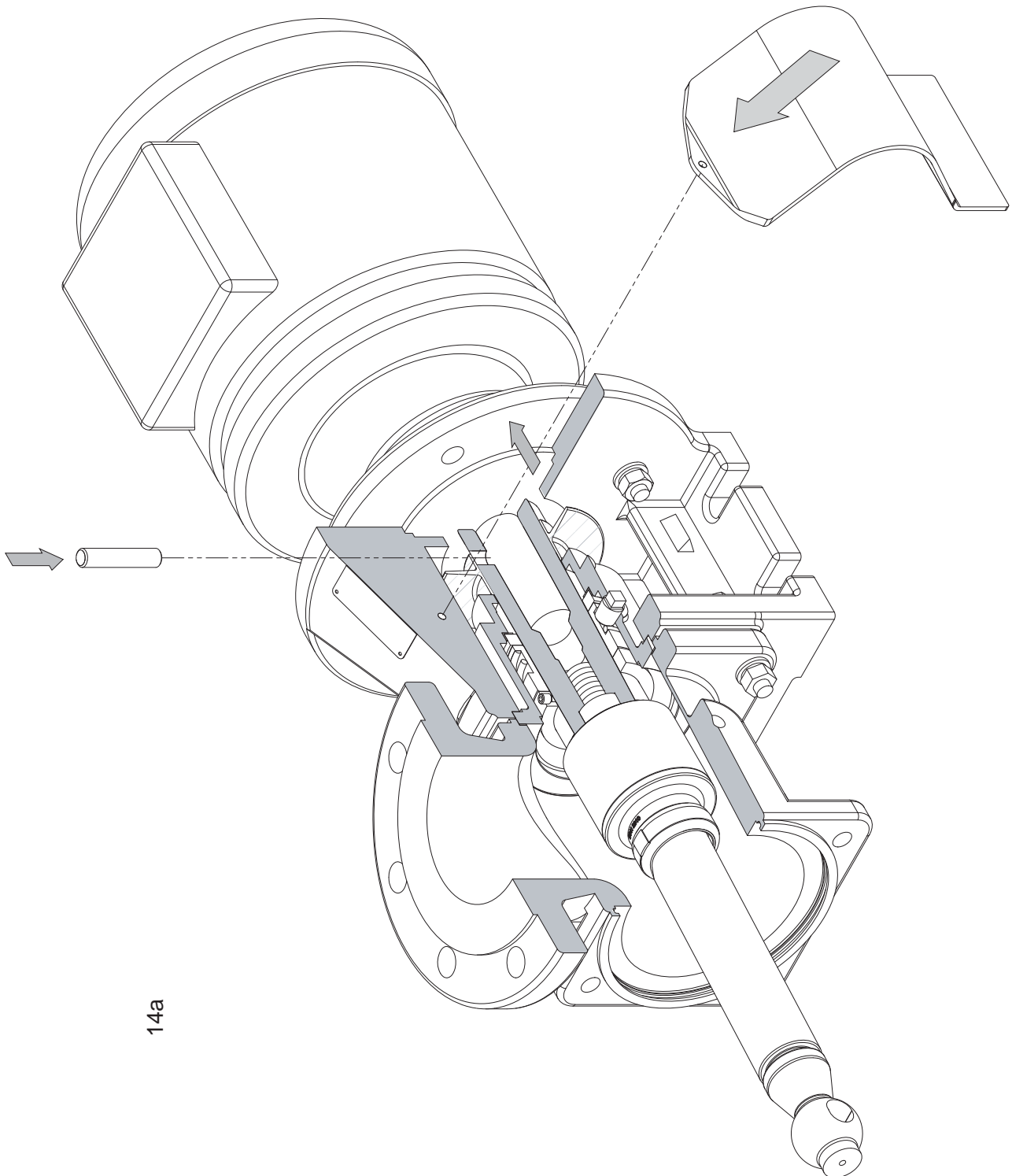


C21B - C22B  
ONLY

# Dismantling & Assembly Diagrams

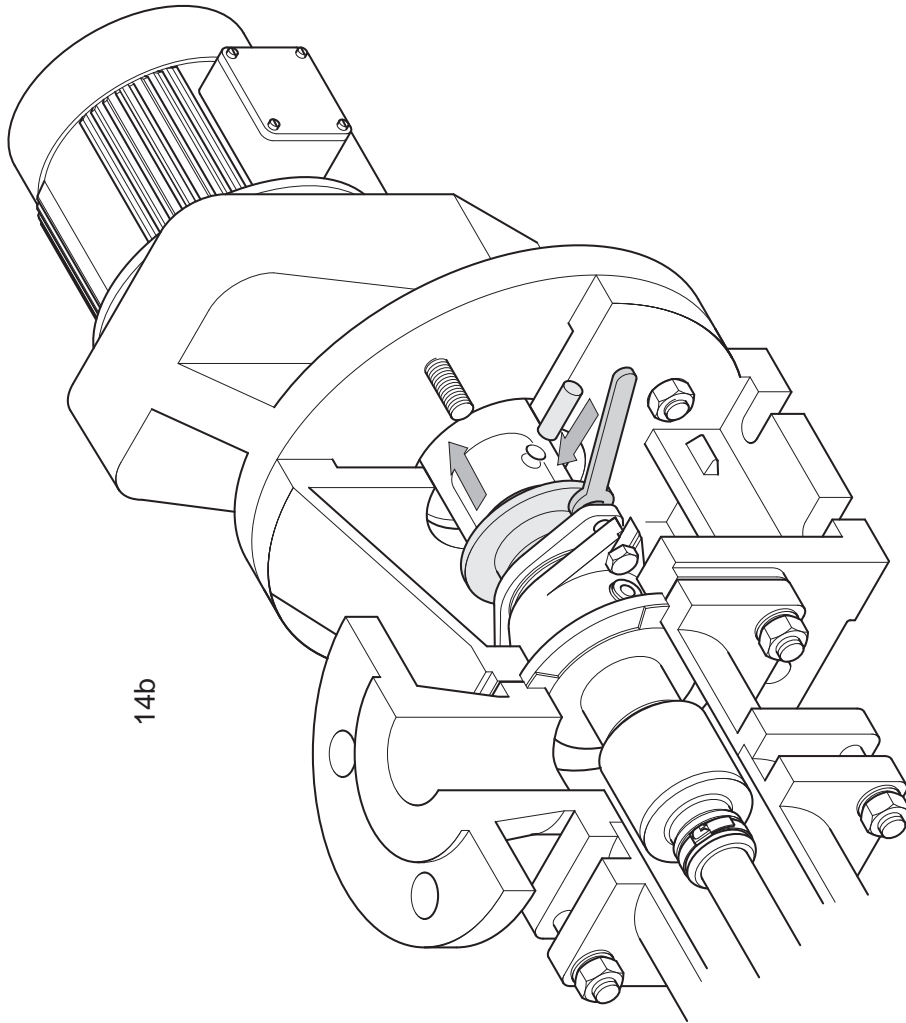


# Dismantling & Assembly Diagrams



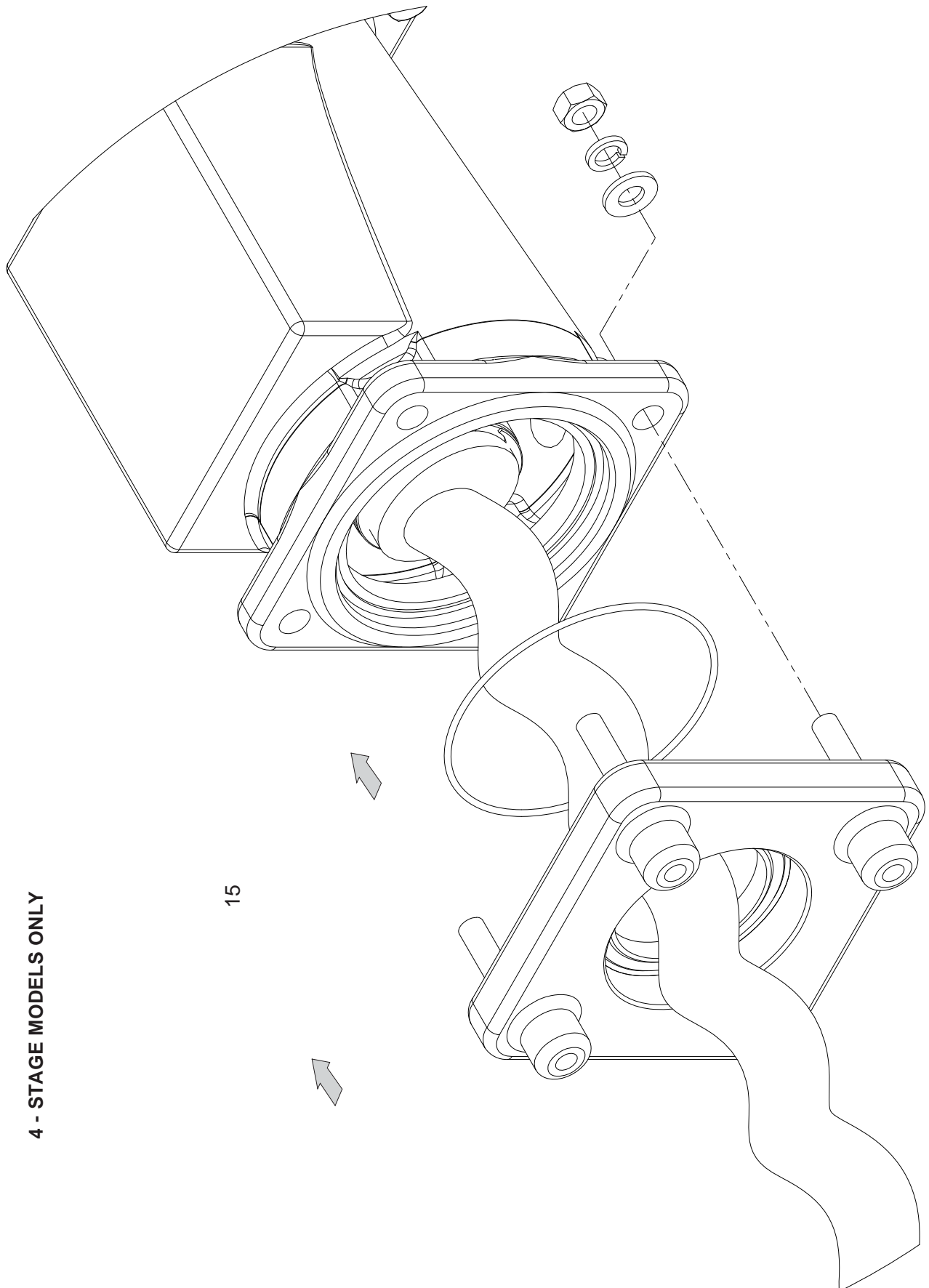
14a

# Dismantling & Assembly Diagrams



ONLY APPLICABLE IF USING PACKED GLAND PUMP

# Dismantling & Assembly Diagrams

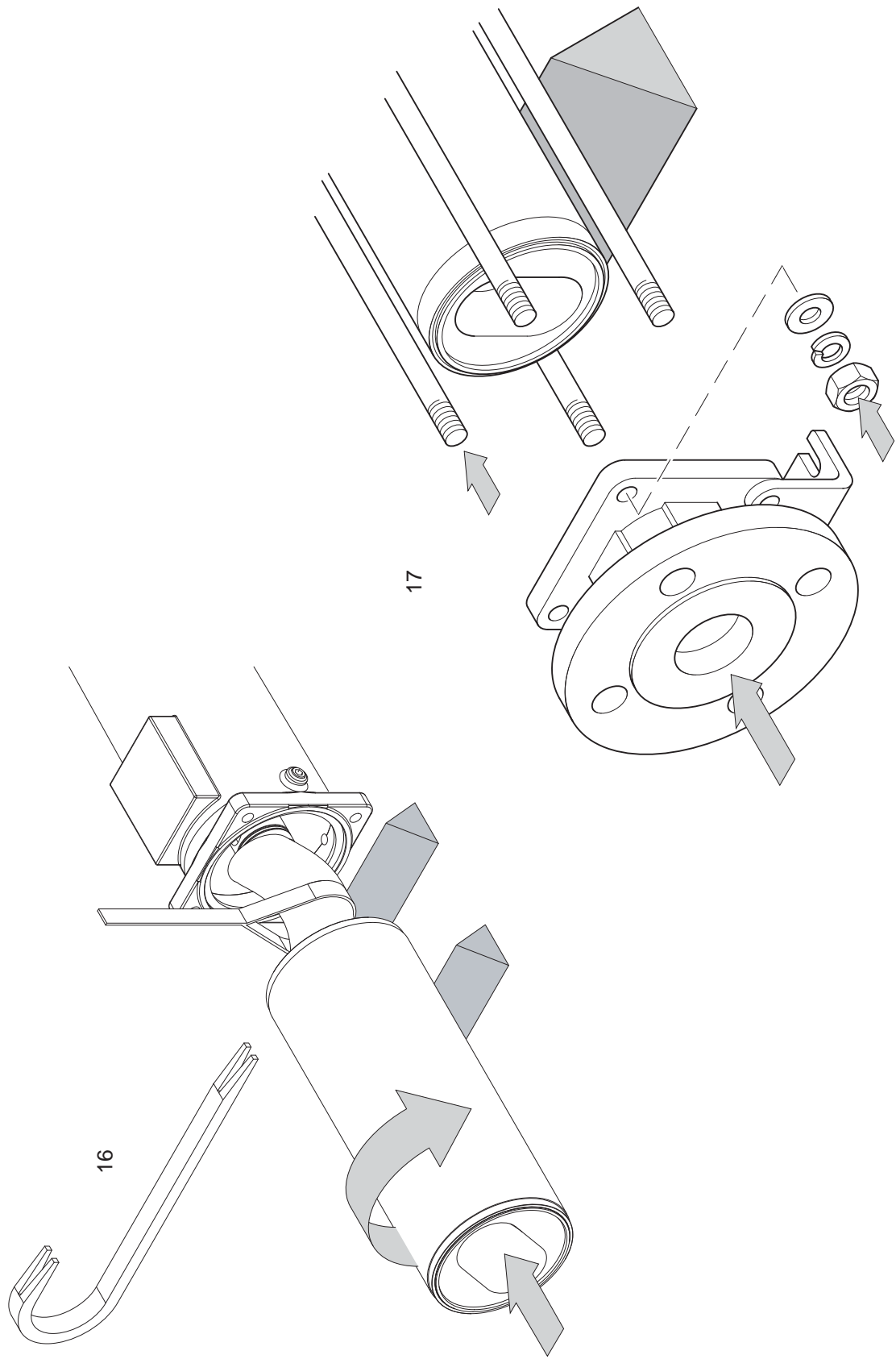


4 - STAGE MODELS ONLY

15

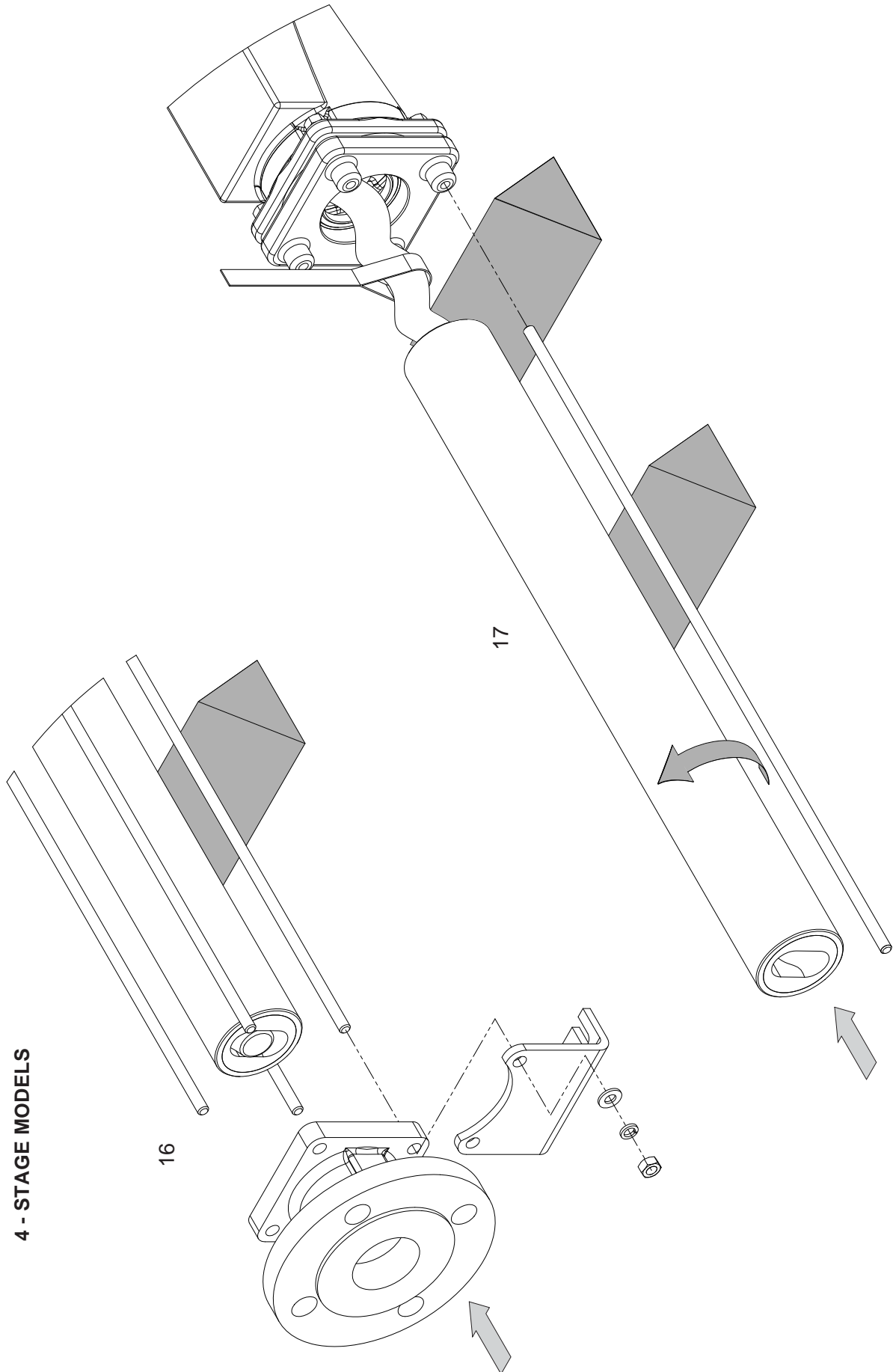


# Dismantling & Assembly Diagrams



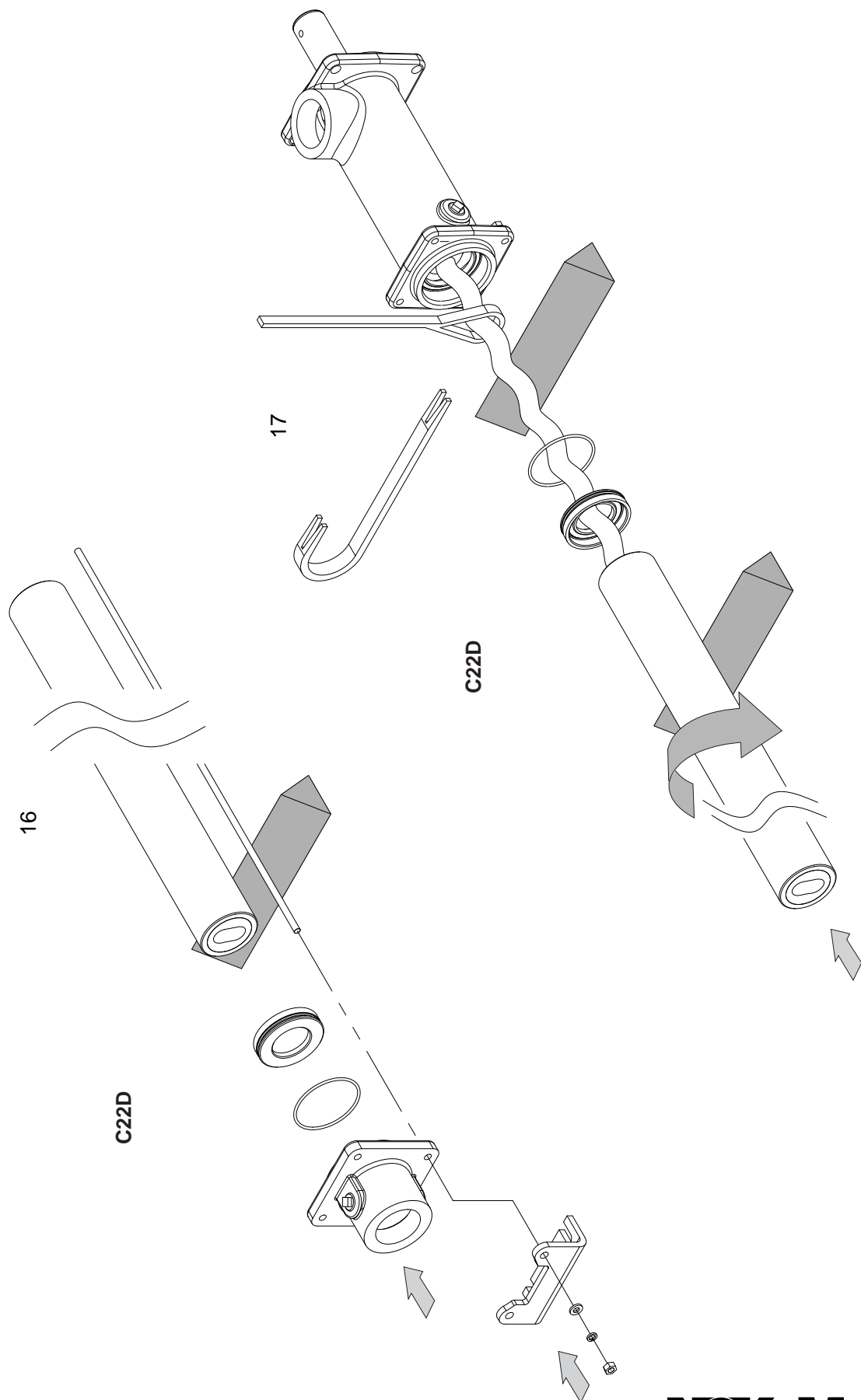
C1XK AND ABOVE

# Dismantling & Assembly Diagrams

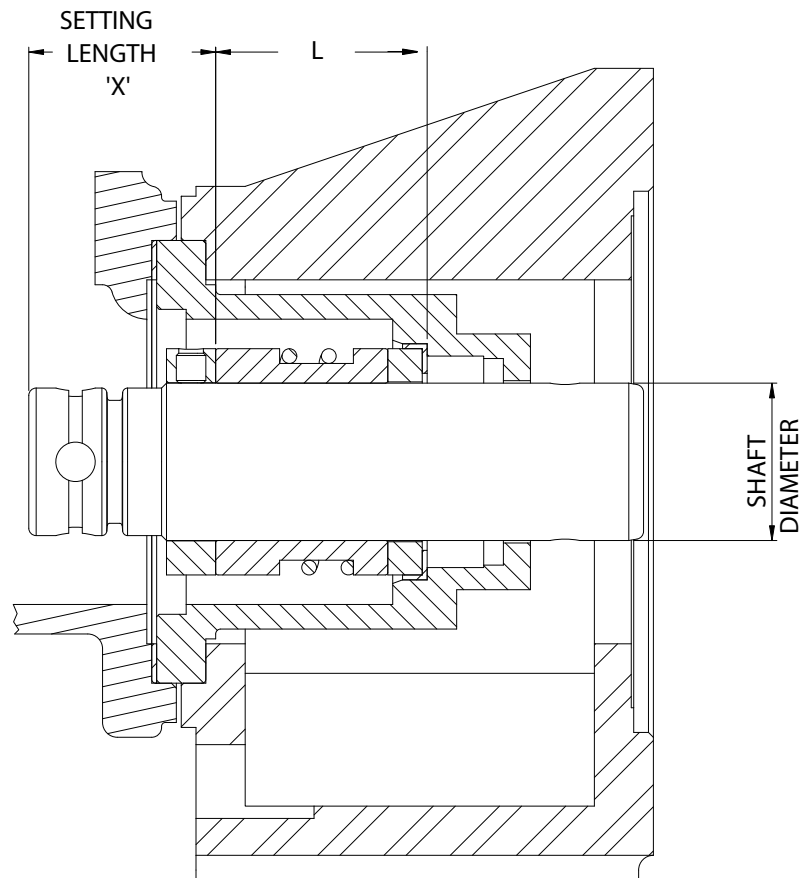


4 - STAGE MODELS

# Dismantling & Assembly Diagrams



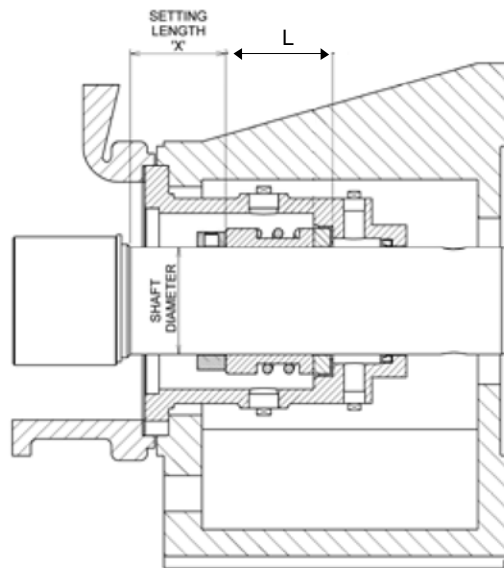
# Setting Length - Mechanical Seal



Pump Size	Drive Type	Shaft Diameter mm	Seal Part No.	Seal Working Length L mm	Setting Distance 'X' mm
C21B C21D C22A C22B	Pin Joint	32	M032139G	42.5	38

**NOTE:** All seal working lengths are to DIN L1K dimensions.  
 This table is not to be used for standard or DIN L1N working length seals.  
 All seals use 'M' type seat except for 85mm which uses 'BS' type or 'M' type.  
 This table is not necessarily compatible with any other seal type - check with Mono Pumps Technical Dept.

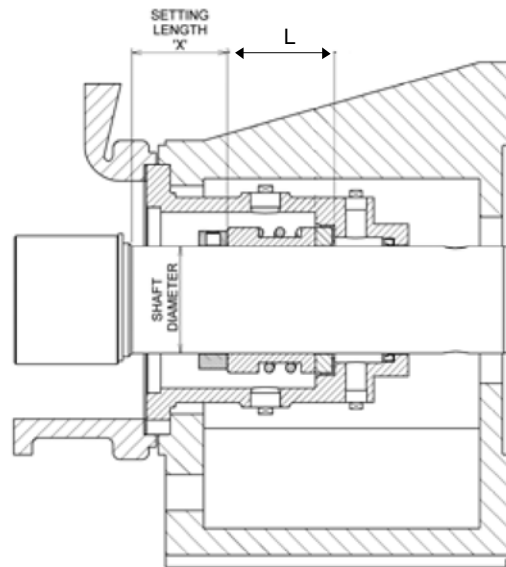
# Setting Length - Mechanical Seal



Pump Size	Drive Type	Shaft Diameter mm	Seal Part No.	Seal Working Length L mm	Setting Distance 'X' mm
C22D C23A C23B C23K C2XA C2XB C1XK	Pin Joint	32	M032139G	42.5	16
C13D C14A C14B C14K C15A C15K	Pin Joint	45	M045139G	45.0	41
C1XD C14D C15B C16A C16K	Pin Joint	55	M055139G	47.5	34.5
C15D C16B C17A C17B C17K C18A C18K	Pin Joint	65	M065139G	52.5	33.5

**NOTE:** All seal working lengths are to DIN L1K dimensions.  
 This table is not to be used for standard or DIN L1N working length seals.  
 All seals use 'M' type seat except for 85mm which uses 'BS' type or 'M' type.  
 This table is not necessarily compatible with any other seal type - check with Mono Pumps Technical Dept.

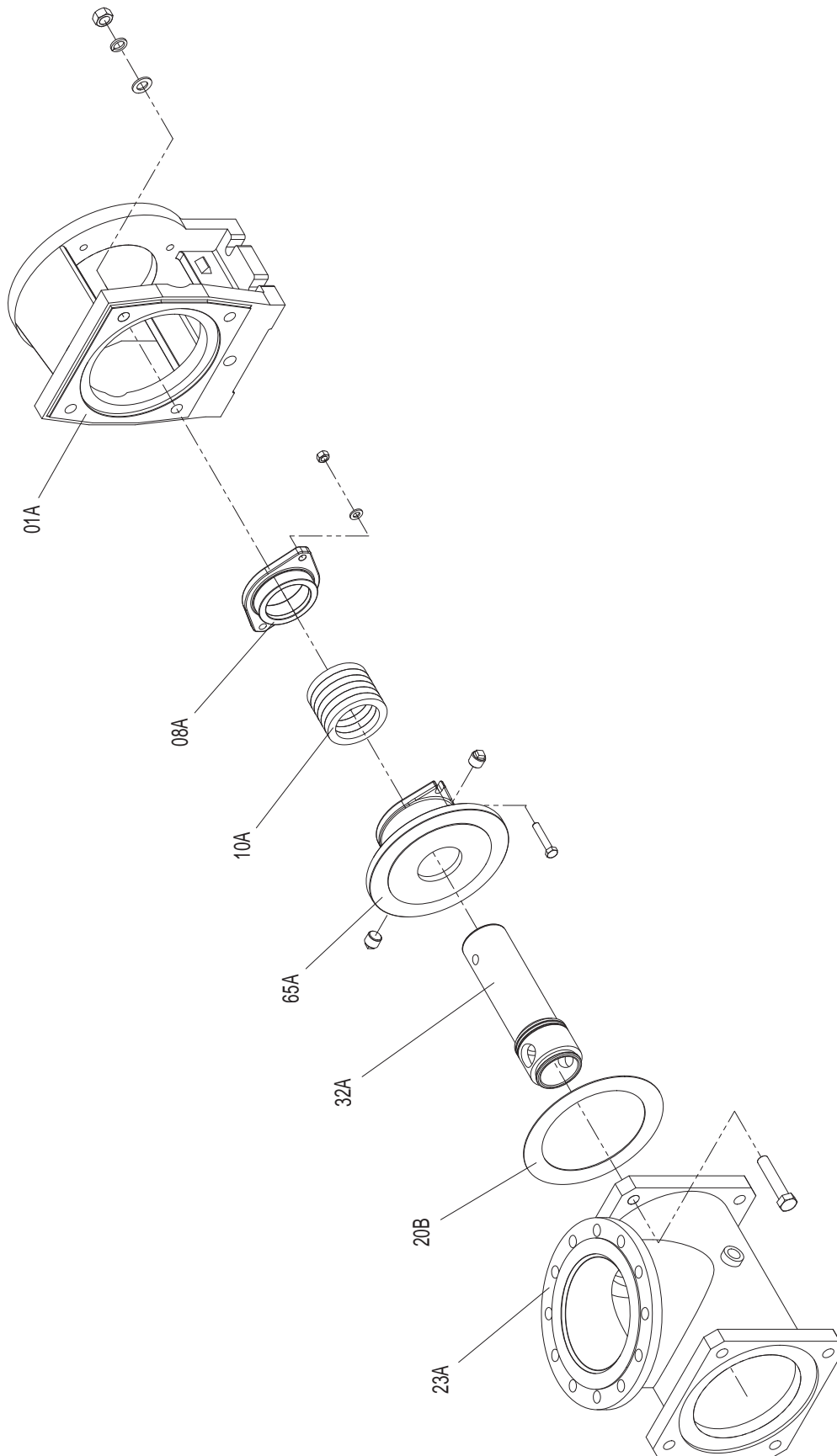
# Setting Length - Mechanical Seal



Pump Size	Drive Type	Shaft Diameter mm	Seal Part No.	Seal Working Length L mm	Setting Distance 'X' mm
C16D C18B C19A C19B C19K C1AA C1AK	Pin Joint	85	M085139G	60.0	33
C17D C1AB C1BA C1BK	Pin Joint	85	M085139G	60.0	58

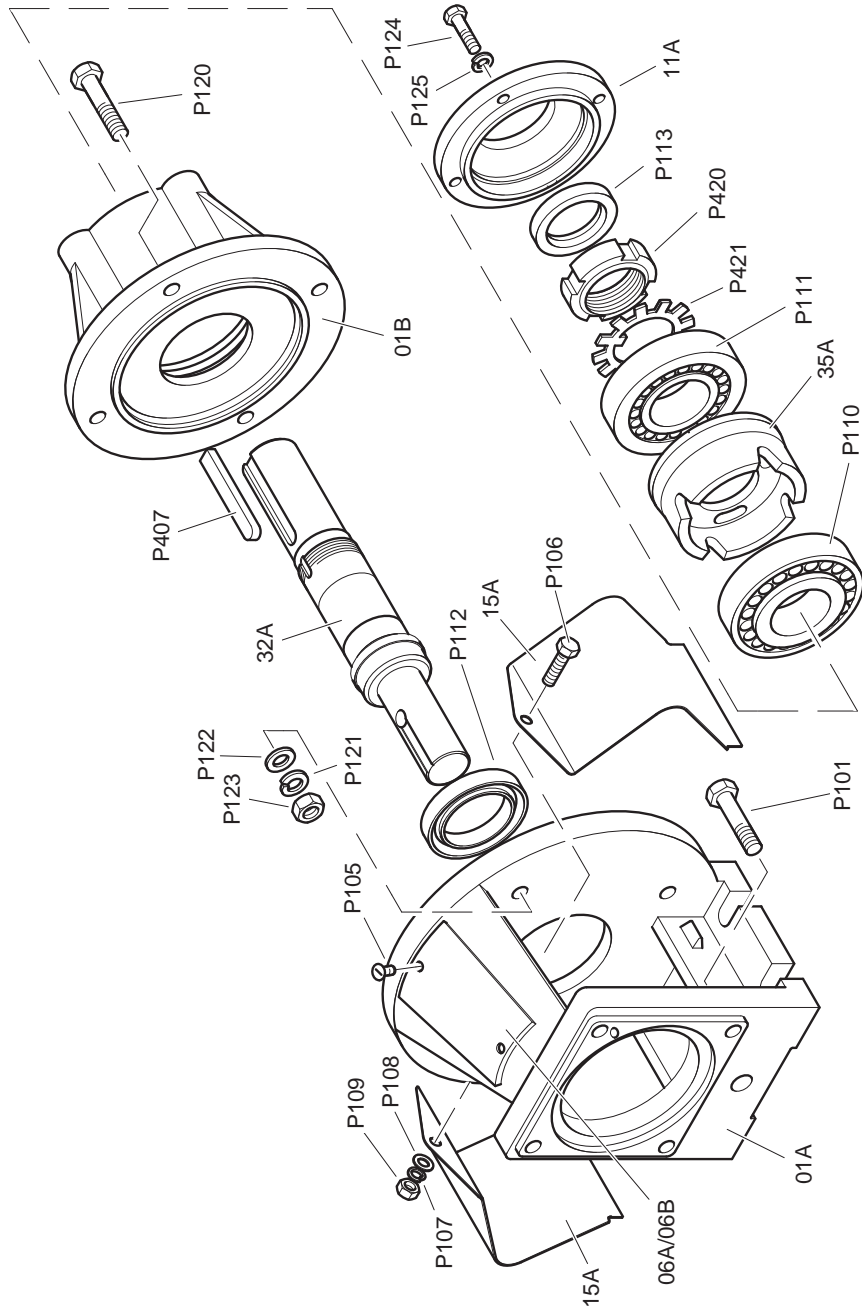
**NOTE:** All seal working lengths are to DIN L1K dimensions.  
 This table is not to be used for standard or DIN L1N working length seals.  
 All seals use 'M' type seat except for 85mm which uses 'BS' type or 'M' type.  
 This table is not necessarily compatible with any other seal type - check with Mono Pumps Technical Dept.

# Exploded Views - Packed Gland



# Exploded Views

BEARING HOUSING ONLY

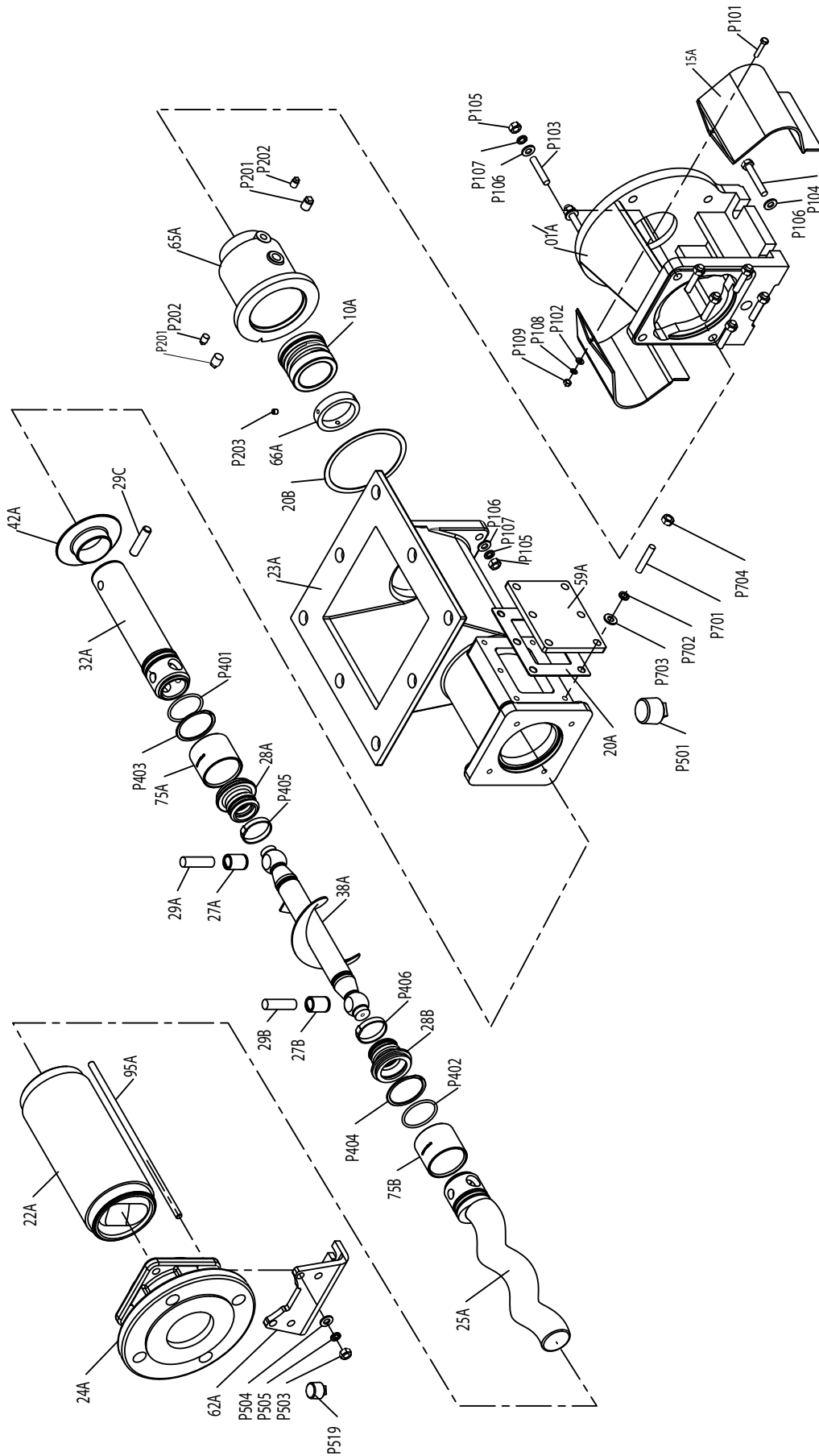






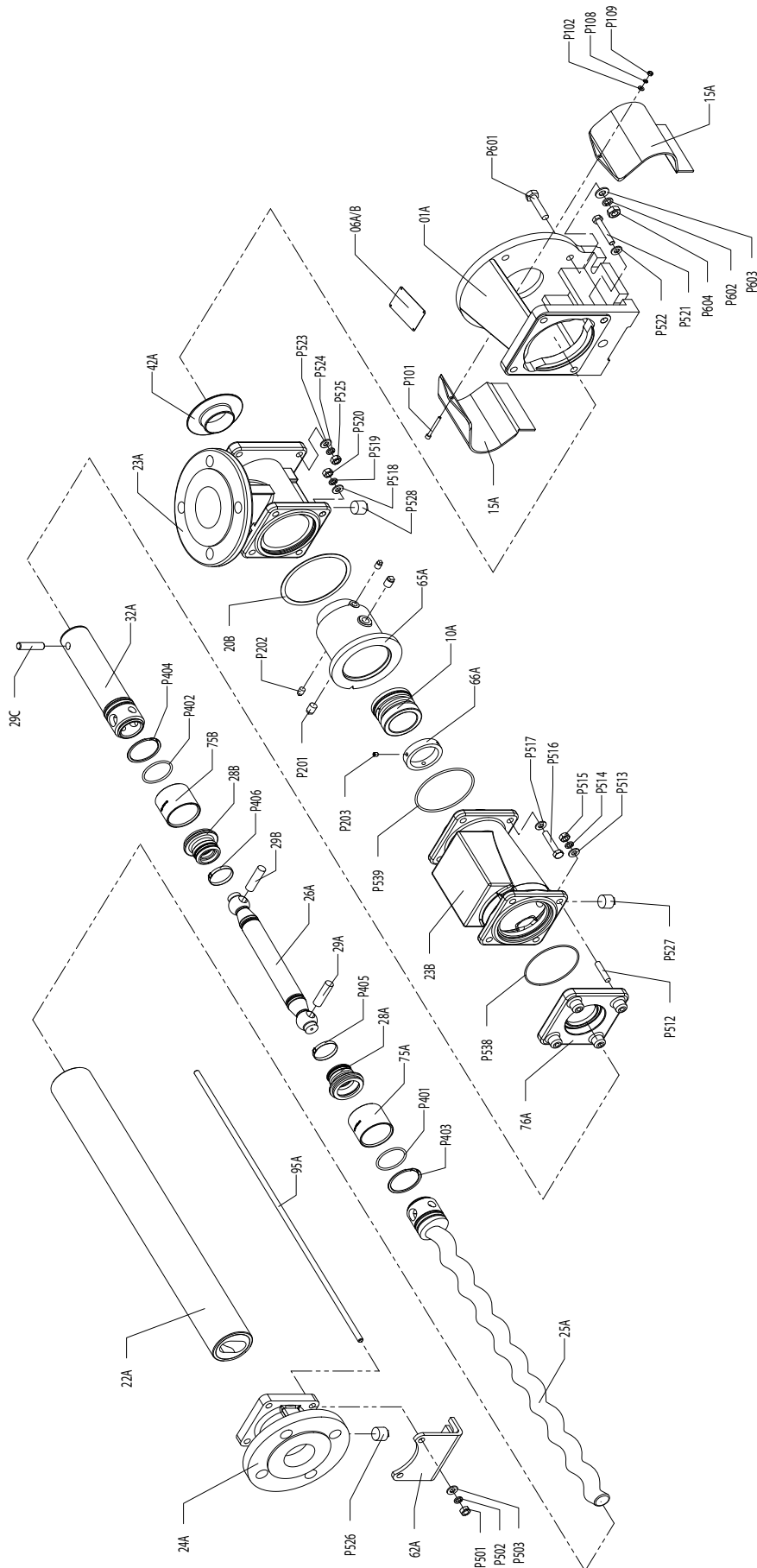
# Exploded Views

## COMPACT RANGE SQUARE INLET



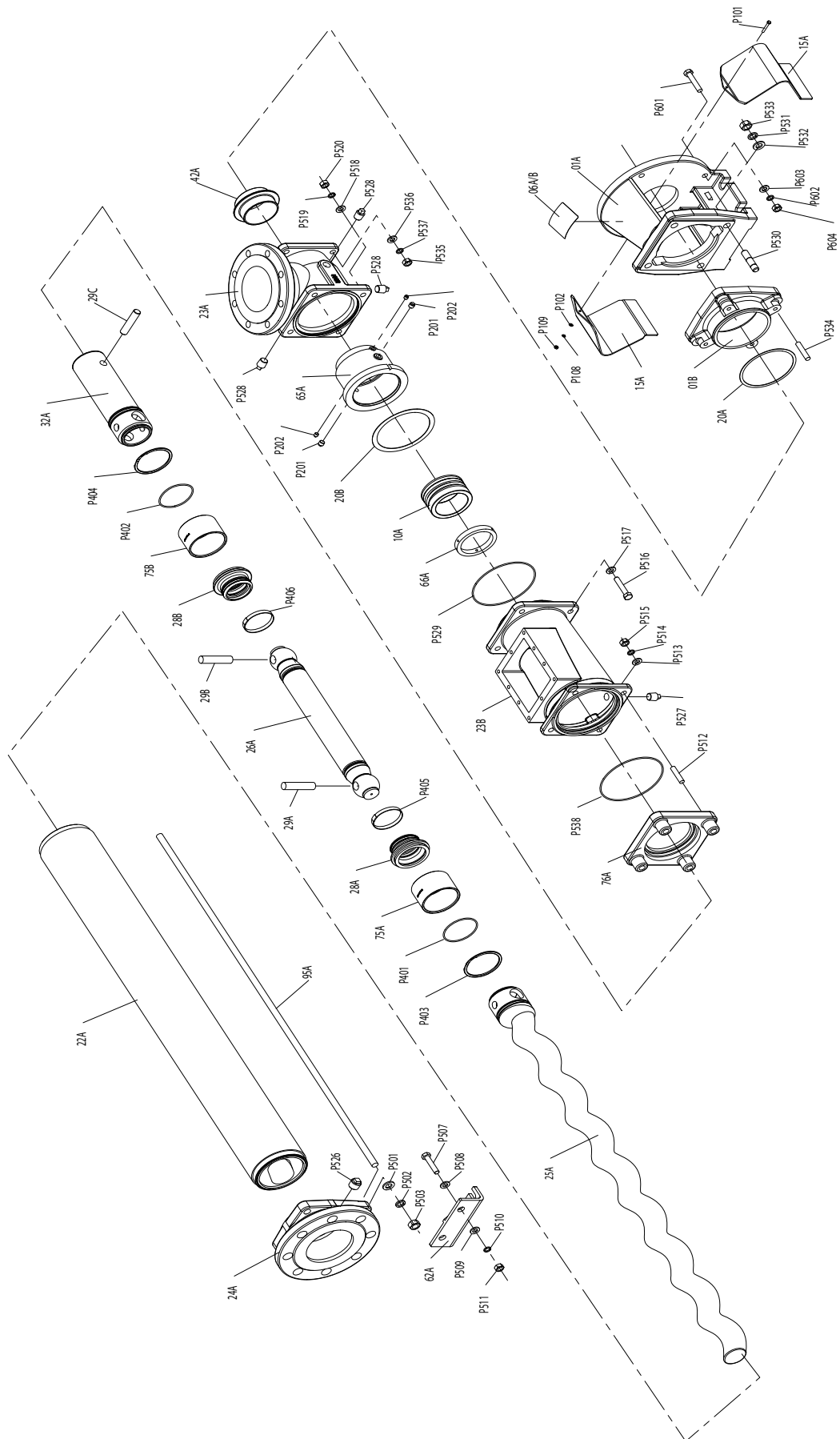
# Exploded Views

**COMPACT RANGE  
4 - STAGE  
C13D TO C18D  
EXCLUDING C16D**



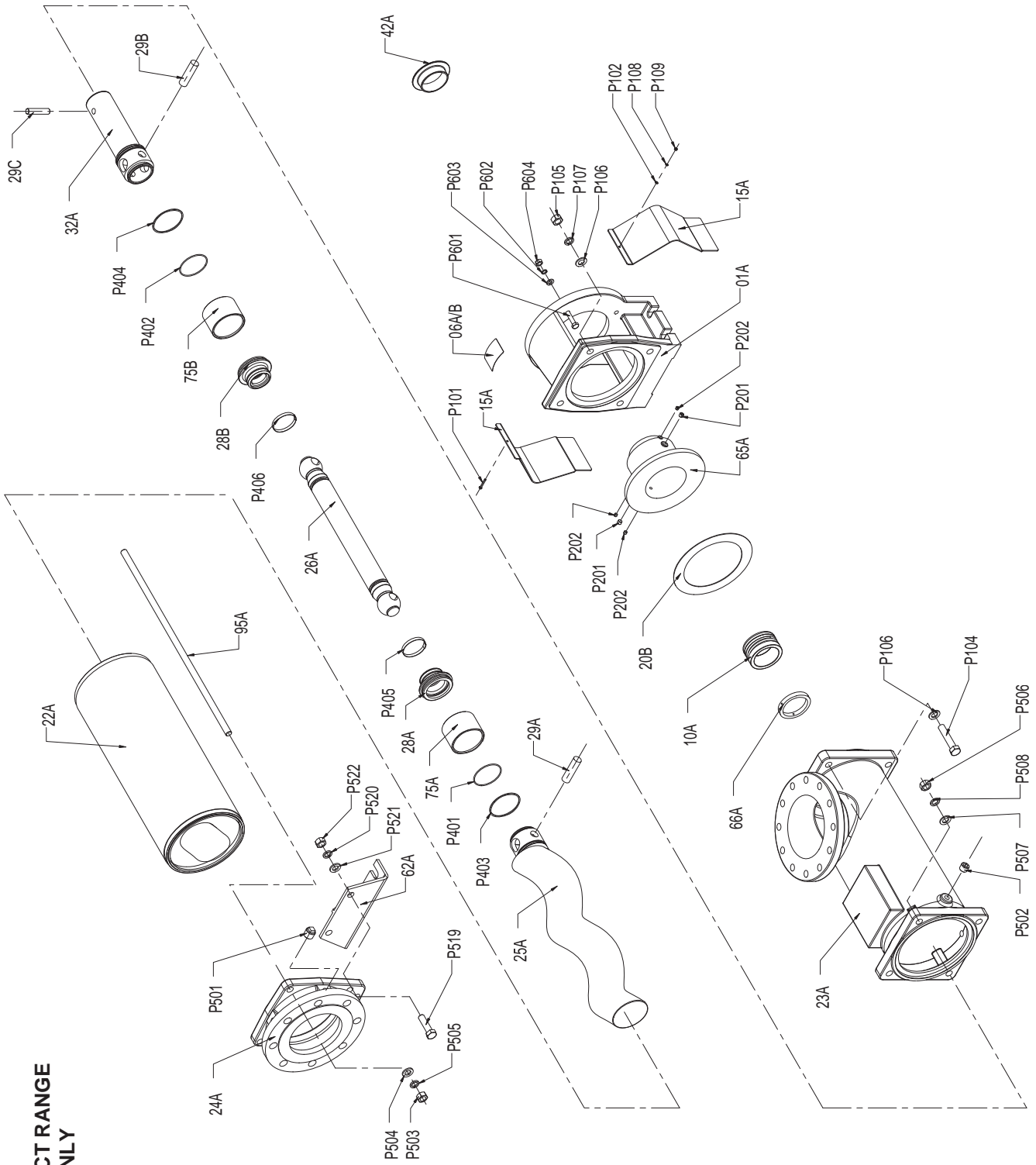
# Exploded Views

## COMPACT RANGE 4 - STAGE C16D



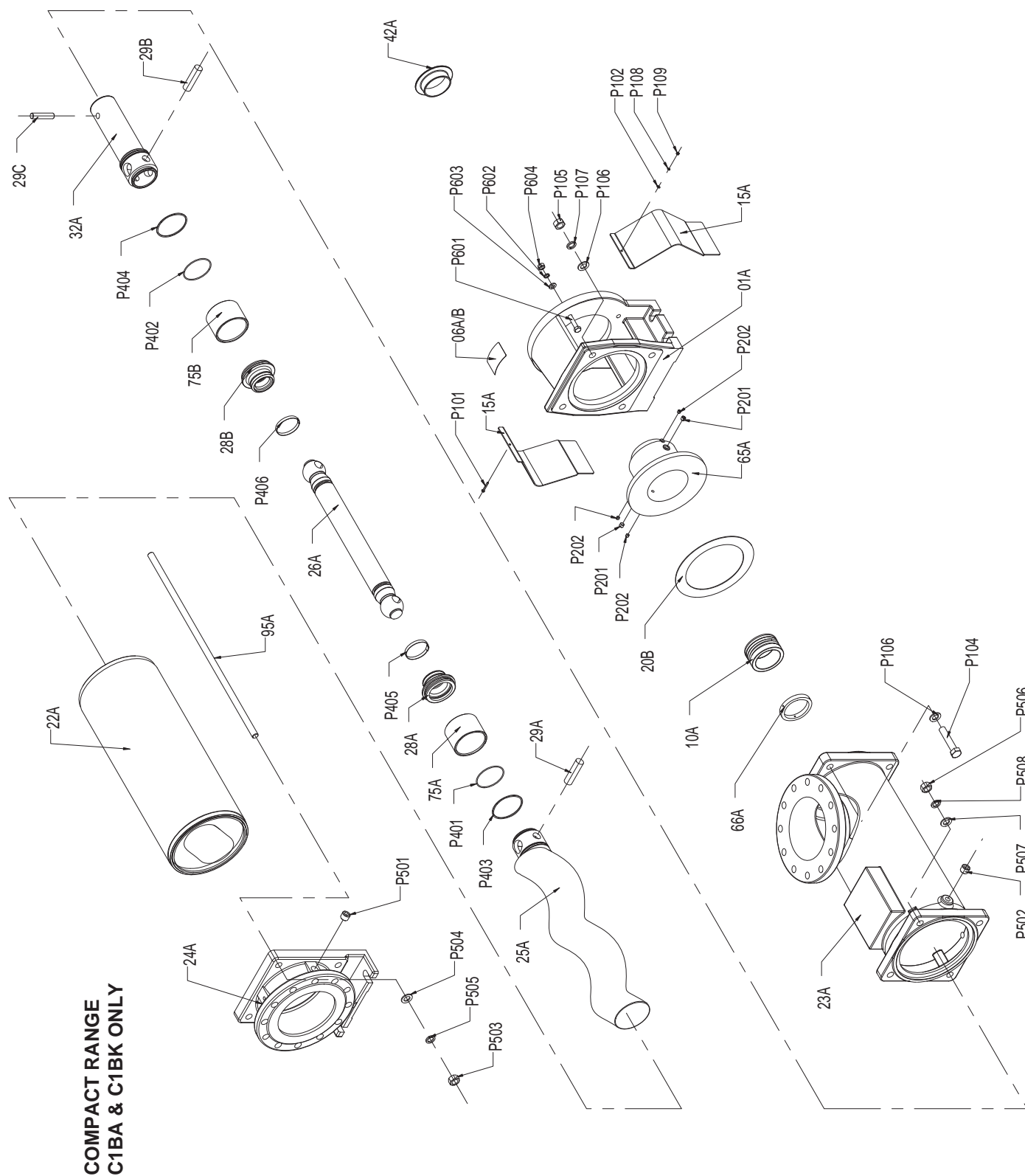


# Exploded Views



**COMPACT RANGE  
C1AB ONLY**

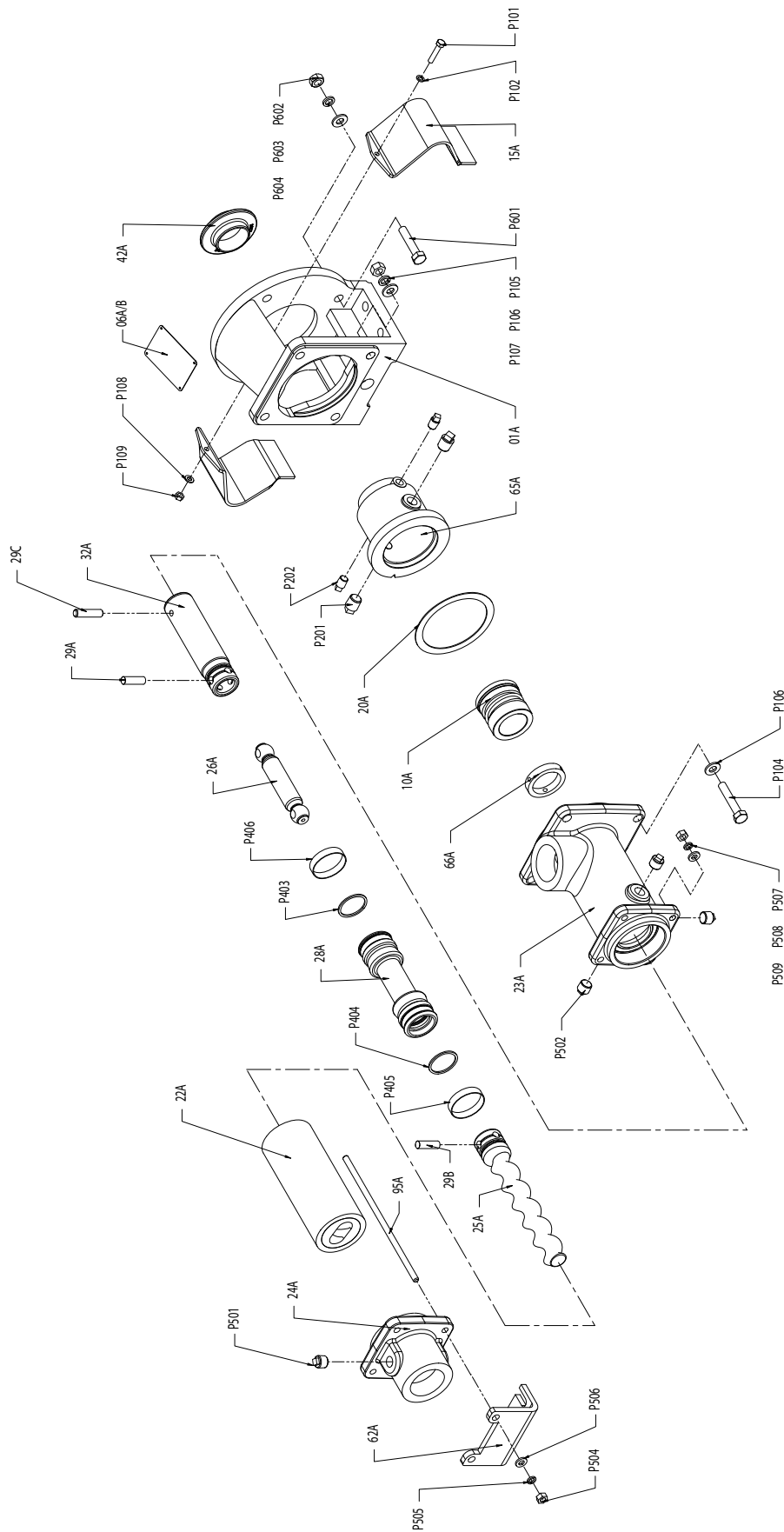
# Exploded Views



COMPACT RANGE  
C1BA & C1BK ONLY

# Exploded Views

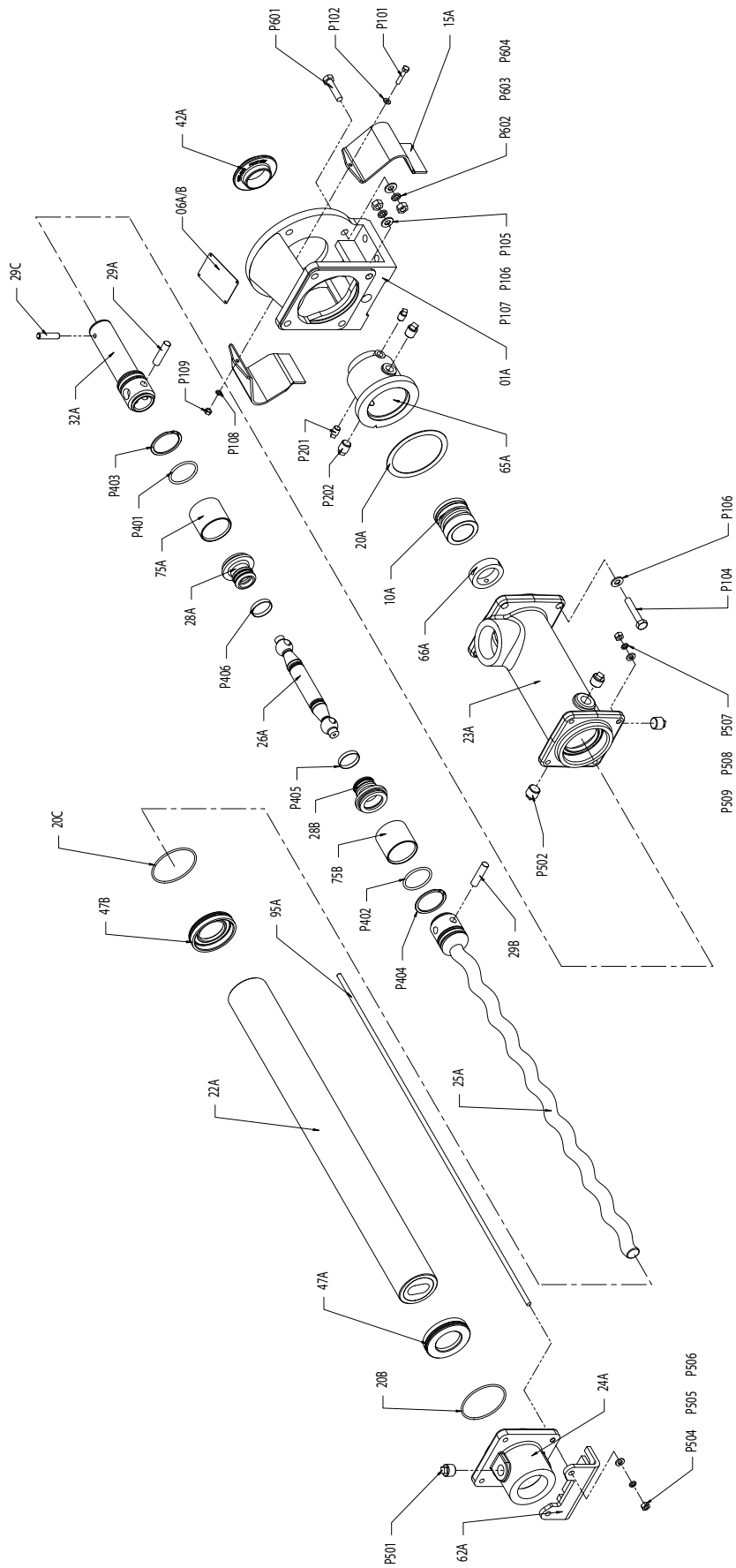
## COMPACT RANGE C21B - C22B



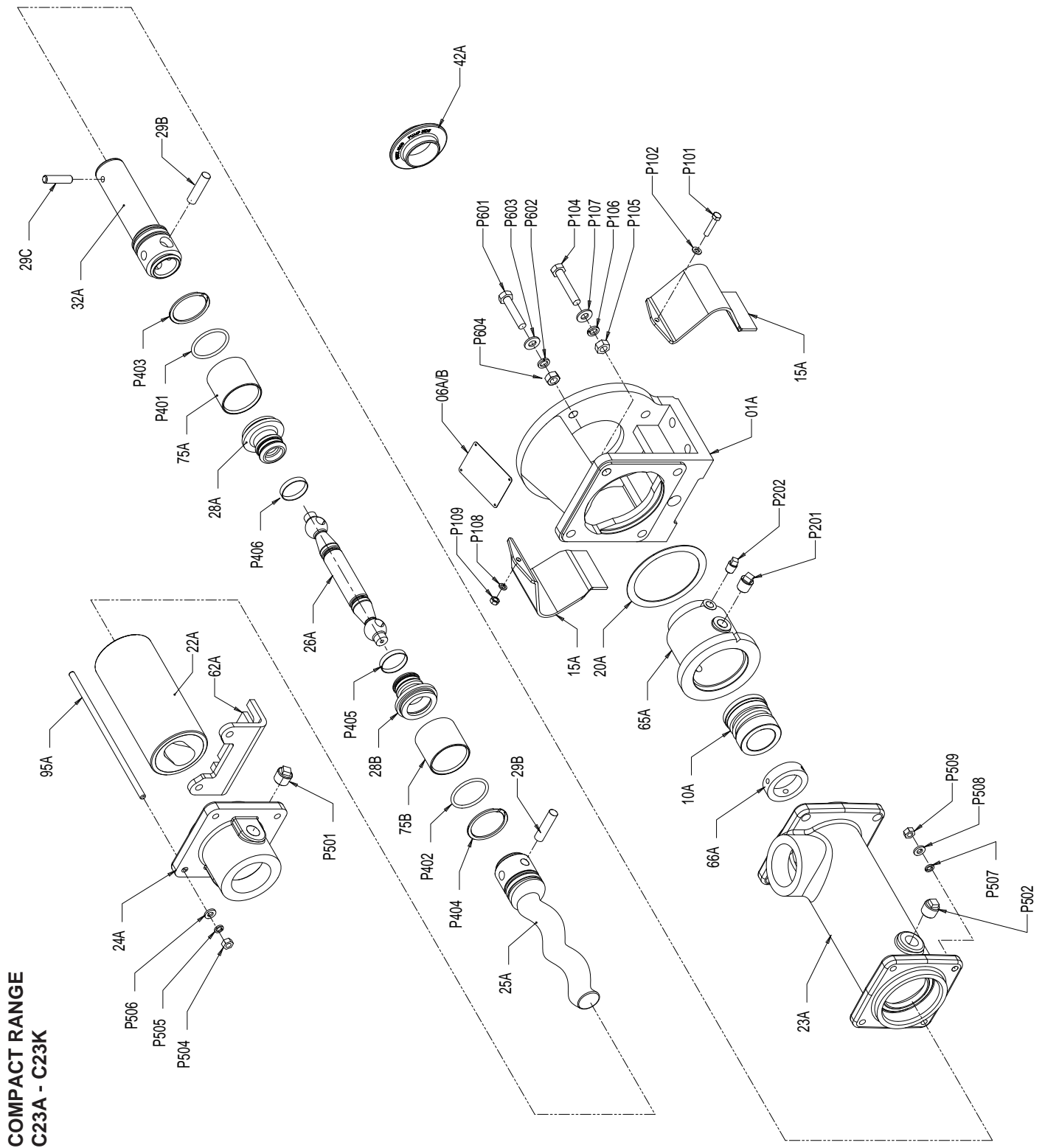


# Exploded Views

COMPACT RANGE  
C22D ONLY



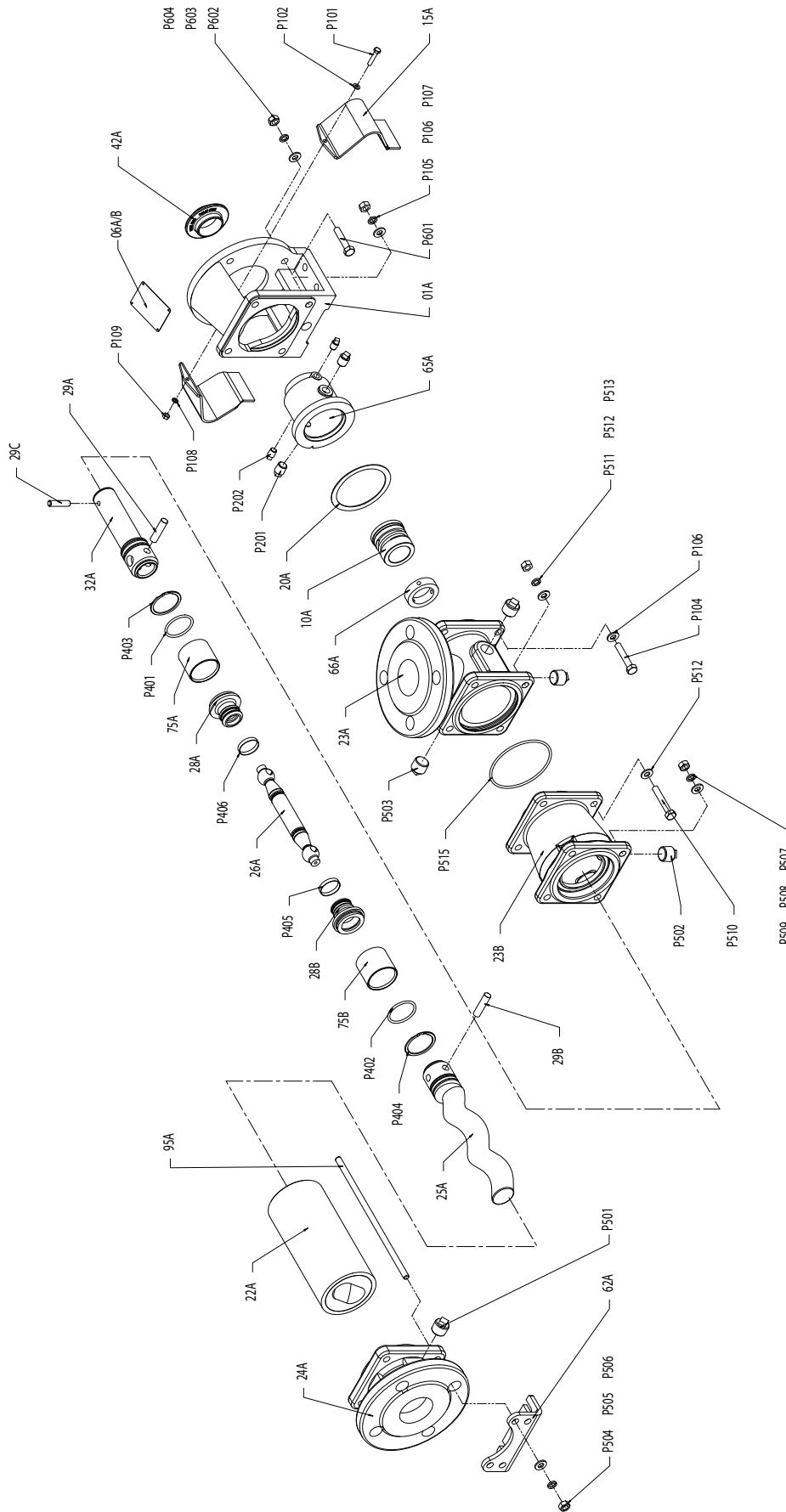
# Exploded Views



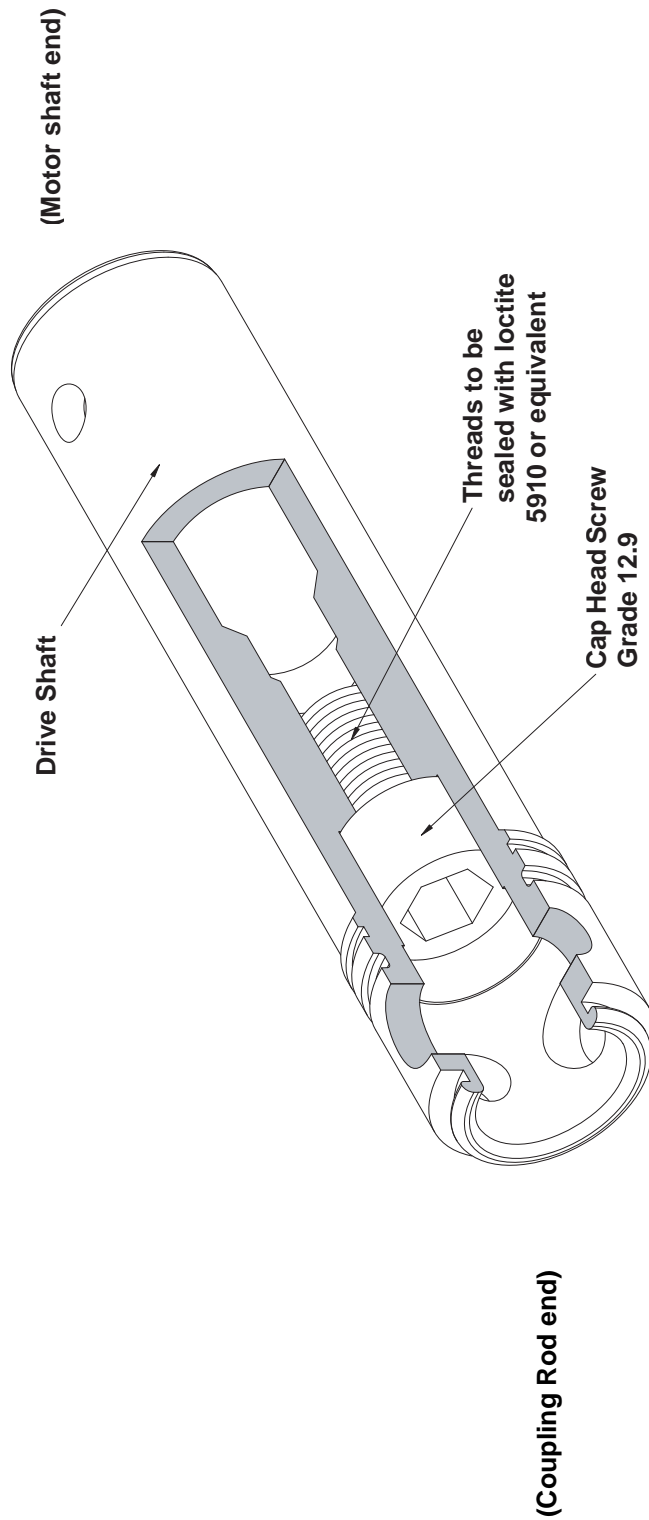
COMPACT RANGE  
C23A - C23K

# Exploded Views

COMPACT RANGE  
C2XA - C2XB ONLY



# Drive Shaft Assembly with Plug



**NOTE:**

This screw may be removed to allow a jacking bolt to be used to aid removal of the drive shaft from the gearbox shaft.

**NOTE: ENSURE THE CAP HEAD SCREW IS TIGHTEND & SEALED BEFORE ASSEMBLING WITH COUPLING ROD**

# Torque Tightening Figures

PUMP SIZE	BODY/SUCT. CHAMBER			STATOR TIE BARS	
	P526	Nm P105	P530	Nm P506 P503	
C1XK		10		10	
C14A		11		11	
C14K		11		11	
C14B		11		11	
C15A		11		11	
C15K		21		11	
C15B		21		11	
C16A		21		24	
C16K		21		24	
C16B		36		24	
C17A		36		24	
C17K		36		24	
C17B		36		24	
C18A		36		40	
C18K		36		40	
C18B	50	-	36	40	
C19A		90		75	
C19K		90		75	
C19B		90		75	
C1AA		90		75	
C1AK		90		75	
C1AB		90		75	
C1BA		176		120	
C1BK		176		120	

**Note: Torque tolerances are +/-5% of stated nominal figures.**

# Torque Tightening Figures

## 4 - STAGE C13D TO C18D

PUMP SIZE	BODY/SUCTION CHAMBER			STATOR TIE BARS	ADAPTOR FLANGE	SCTN. CHMB./SCTN. CHMB. EXT.
	<i>P533</i>	<i>Nm P105</i>	<i>P535</i>	<i>Nm P501</i>	<i>Nm P515</i>	<i>Nm P520</i>
C13D		11		11	11	11
C1XD		21		11	11	11
C14D		21		21	11	11
C15D		40		40	21	21
C16D	50	-	40	75	40	40
C17D		176		75	75	-
C18D		176		120	75	-

Note: Torque tolerances are +/-5% of stated nominal figures.

# Torque Tightening Figures

## C2XB AND BELOW

<b>PUMP SIZE</b>	<b>SUCTION CHAMBER/ SUCTION EXT. Nm P105</b>	<b>STATOR TIE BARS Nm P504, P507</b>
C21B	10	4
C21D	10	4
C22A	10	4
C22B	10	4
C22D	10	4
C23A	10	4
C23B	10	4
C23K	10	4
C2XA	10	10
C2XB	11	10

**Note: Torque tolerances are +/-5% of stated nominal figures.**

# Pin Joint Lubrication

PUMP MODEL	JOINT LUBRICATION CAPACITY (APPROX.) PER JOINT (ml)*	NON-FOOD APPLICATIONS ONLY		FOOD APPLICATIONS
		RECOMMENDED	SUITABLE ALTERNATIVE	
C21B C21D C22A C22B	6	KLUBER SYNTHESO D460 EP OIL	MOBILITH SHC 007 SEMI-FLUID GREASE	SHELL RETINAX CSZ
C22D C23A C23B C23K C2XA C2XB C1XK	12			
C13D C14A C14B C14K C15A C15K	22			
C1XD C14D C15B C16A C16K	45		MOBIL GEAR OIL SHC 320	
C15D C16B C17A C17B C17K C18A C18K	55			
C16D C18B C19A C19B C19K C1AA C1AK	95		KLUBEROIL 4 UHI 460	
C17D C18D C1AB C1BA C1BK	175			
C1BB C1CA C1DA	620			
C1CB C1CK C1DB C1EB	1600			



# Recommended Lubrication & Service Intervals

COMPONENTS	ALL APPLICATION EXCEPT FOOD	FOOD APPLICATIONS ONLY	SERVICE COMMENTS
PUMP DRIVE JOINTS	SEE SECTION 5 PAGE 4		INSPECT AND LUBRICATE AS NECESSARY EVERY 4000 OPERATING HOURS
PUMP BEARINGS (WHERE FITTED)	BP Energrease LC2 OR EQUIVALENT		INSPECT AND RE-GREASE IF NECESSARY EVERY 12 MONTHS
GEARED DRIVERS (WHERE FITTED)	AS RECOMMENDED BY THE MANUFACTURER		
<p><b>NOTE: ABOVE SERVICE AND LUBRICATION INTERVALS ARE FOR GUIDANCE ONLY TO ENSURE MAXIMUM COMPONENT LIFE. PUMP WILL OPERATE FOR CONSIDERABLY LONGER PERIODS WITHOUT ATTENTION DEPENDING ON SERVICE CONDITIONS</b></p>			

#### **UK and Europe**

Mono Pumps Ltd, Martin Street, Audenshaw  
Manchester, M34 5JA, England  
T. +44 (0)161 339 9000  
E. info@mono-pumps.com

#### **Americas**

NOV Monoflo, 9606 Kirkton  
Houston, Texas 770495, USA  
T. +1 281 200 1200  
E. inquire@monoflo.com

#### **Monoflo SA**

Ing. Huergo 2239 - B1842GGW  
Monte Grande  
Buenos Aires  
Argentina  
T. +54 4296 8997  
F. +54 4284 0323  
E. inquire@monoflo.com

#### **Australasia**

Mono Pumps (Australia) Pty Ltd  
Mono House, 338-348 Lower Dandenong Road  
Mordialloc, Victoria 3195, Australia  
T. +61 (0)3 9580 5211  
E. ozsales@mono-pumps.com

Mono Pumps (New Zealand) Ltd  
PO Box 71-021, Fremlin Place, Avondale  
Auckland 7, New Zealand  
T. +64 (0)9 829 0333  
E. info@mono-pumps.co.nz

#### **Asia**

Mono Pumps Ltd, No. 500 YaGang Road  
Lujia Village, Malu, Jiading District  
Shanghai 201801, P.R. China  
T. +86 (0)21 5915 7168  
E. monoshanghai@nov.com

[www.mono-pumps.com](http://www.mono-pumps.com)



One Company, Unlimited Solutions