



P.L. : 1013-D01

Effective
Replaces

October 2019
New

PARTS LIST
PUMPS
G-FLO 65 S - G-FLO 65 HP

Keep this parts lists with Installation, Operation and Maintenance Instructions.

To order the required spare parts, indicate the desired Reference(s).

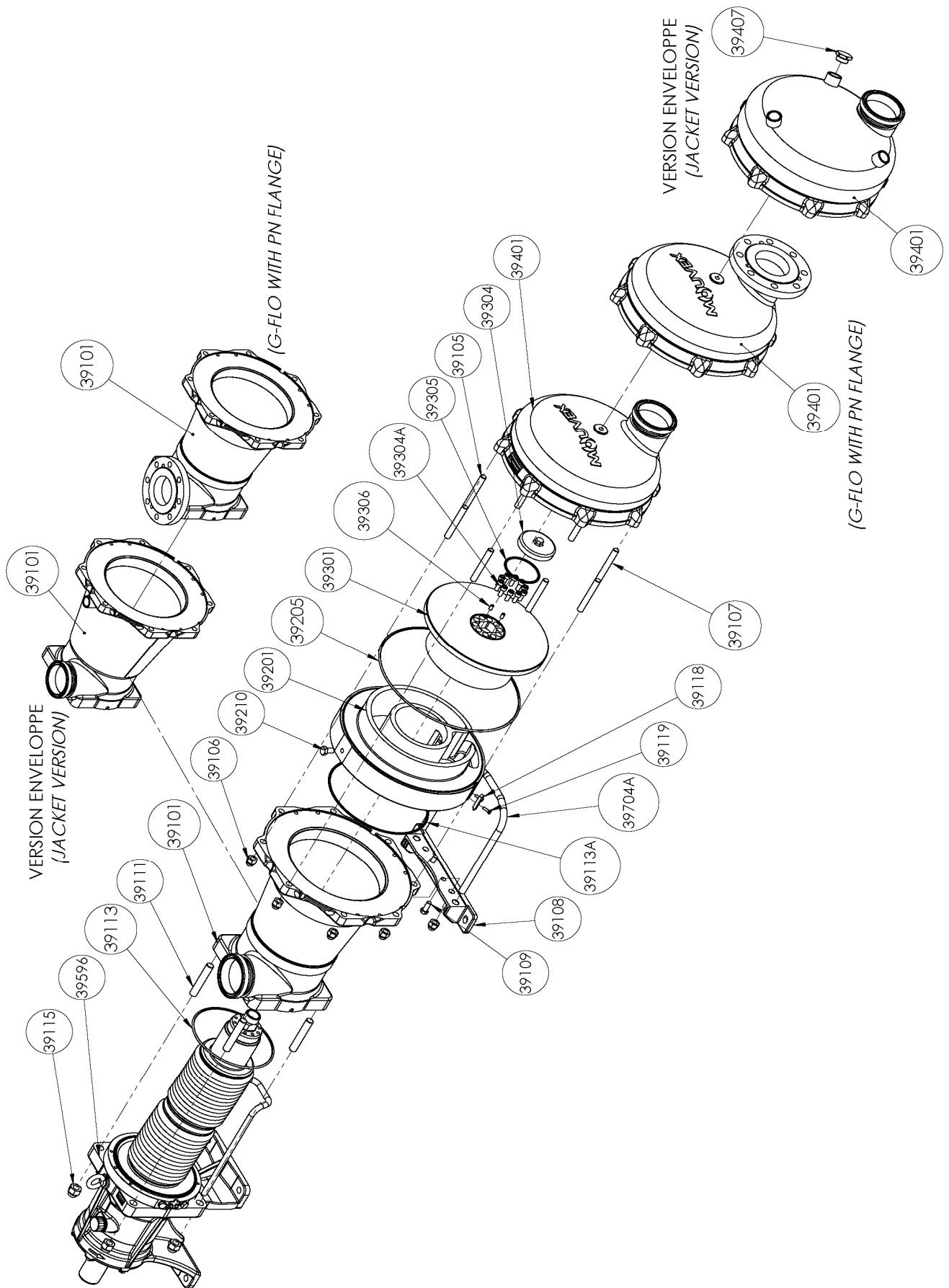
- ◆ Sets of parts or parts available to order.

CVT : FEP encapsulated FKM

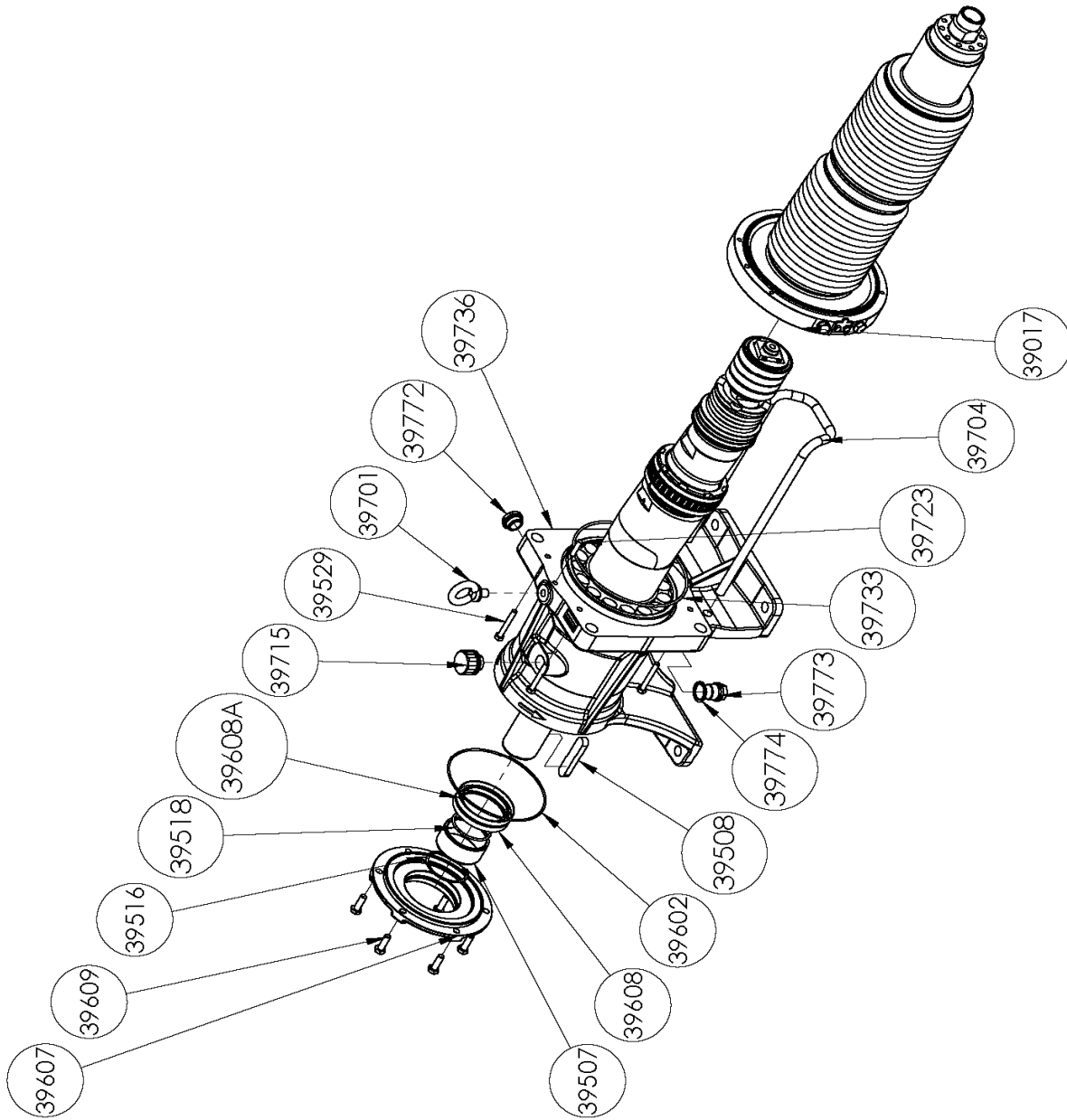
Z.I. la Plaine des Isles - 2 rue des Caillottes F-89000 AUXERRE - France

Tel : +33 (0)3 86 49 86 30 • Fax : +33 (0)3 86 49 87 17
contact.mouvex@psgdover.com • www.mouvex.com

G-FLO 65 S - G-FLO 65 HP Standard & Jacketed pump



G-FLO 65 S - G-FLO 65 HP Transmission



G-FLO 65 S

* 1, 2, 4... : Quantity in equipment - (1), (2), (4)... : Quantity in kit

Item	Available	Description	Qty*	Ref.	Maintenance kit	Wear part
39100	◆	MAIN BODY G FLO 65	1	AUX319927		
39101		MAIN BODY	(1)			
39108		FOOT	(1)			
39109		SCREW	(2)			
39118		INDEXER	(1)			
39119		SCREW	(2)			
39704A		BRACKET	(1)			
39110	◆	SCREWS SET FOR MAIN BODY	1	AUX319937		
39105		STUD	(6)			
39106		BLIND NUT	(8)			
39107		STUD	(2)			
39111		STUD	(4)			
39115		BLIND NUT	(4)			
39410	◆	KIT FLANGES PN16	1	AUX319926		
39410	◆	KIT FLANGES PN20	1	AUX319958		
39136		SCREW	(6)			
39148		ROD	(2)			
39414		FLANGE	(2)			
39200	◆	SET CYLINDER_PISTON	1	AUX319913	■	
39201		CYLINDER	(1)			●
39210		SCREW	(1)			
39301		PISTON	(1)			●
39304	◆	PISTON NUT	1	AUX239099		●
39304A		SCREW	(10)			
39306		SCREW	(2)			
39206	◆	SET OF CVT 'O' RING SEALS	1	AUX319929	■	
39206	◆	SET OF EPDM CE1935/2004 'O' RING SEALS	1	AUX319950	■	
39206	◆	SET OF FKM CE1935/2004 'O' RING SEALS	1	AUX319945	■	
39113		SEAL	(1)			●
39113A		SEAL	(1)			●
39205		SEAL	(1)			●
39305		SEAL	(2)			●
39401	◆	FRONT COVER G FLO 65	1	AUX319928		
39596	◆	COMPLETE TRANSMISSION	1	AUX319662	■	●
39599		TRANSMISSION	(1)			
39008A	◆	SET PLUGS_LIFTING EYE BOLTS	1	AUX319682		
39701		LIFTING EYE BOLTS	(1)			
39715	◆	BREATHER	1	AUX239151		●
39772		OIL LEVEL INDICATOR	(1)			
39773		PLUG	(1)			
39774		SEAL WASHER	(1)			●
39009A	◆	BEARING GASKETS _ RING SET	1	AUX319683		●
39507		INTERNAL RING	(1)			●
39516		CIRCLIPS	(1)			
39518		O-RING FKM	(1)			●
39602		SEAL	(1)			
39608		LIP SEAL	(1)			●
39608A		LIP SEAL	(1)			●
39733		SEAL	(1)			●
39013		RADIAL SPRING KIT FOR SHAFT TRANSMISSION	(1)			
39016	◆	SCREWS SET FOR BELLOWS	1	AUX319677		
39529		SCREW	(4)			
39723		PIN	(1)			
39017	◆	SET BELLOWS	1	AUX319679		
39018		BEARINGS KIT FOR TRANSMISSION	(1)			
39500		SHAFT COMPLETE	(1)			
39508		KEY	(1)			
39607		BEARING COVER	(1)			
39607		SCREW	(6)			
39607		MAIN BODY SUPPORT	(1)			
39607		BEARING	(1)			

G-FLO 65 HP

* 1, 2, 4... : Quantity in equipment - (1), (2), (4)... : Quantity in kit

Item	Available	Description	Qty*	Ref.	Maintenance kit	Wear part
39100	◆	MAIN BODY G FLO 65	1	AUX319927		
39101		MAIN BODY	(1)			
39108		FOOT	(1)			
39109		SCREW	(2)			
39118		INDEXER	(1)			
39119		SCREW	(2)			
39704A		BRACKET	(1)			
39110	◆	SCREWS SET FOR MAIN BODY	1	AUX319937		
39105		STUD	(6)			
39106		BLIND NUT	(8)			
39107		STUD	(2)			
39111		STUD	(4)			
39115		BLIND NUT	(4)			
39410	◆	KIT FLANGES PN16	1	AUX319926		
39410	◆	KIT FLANGES PN20	1	AUX319958		
39136		SCREW	(6)			
39148		ROD	(2)			
39414		FLANGE	(2)			
39200	◆	SET CYLINDER_PISTON	1	AUX319947	■	
39201		CYLINDER	(1)			●
39210		SCREW	(1)			
39301		PISTON	(1)			●
39304	◆	PISTON NUT	1	AUX239099		●
39304A		SCREW	(10)			
39306		SCREW	(2)			
39206	◆	SET OF CVT 'O' RING SEALS	1	AUX319929	■	
39206	◆	SET OF EPDM CE1935/2004 'O' RING SEALS	1	AUX319950	■	
39206	◆	SET OF FKM CE1935/2004 'O' RING SEALS	1	AUX319945	■	
39113		SEAL	(1)			●
39113A		SEAL	(1)			●
39205		SEAL	(1)			●
39305		SEAL	(2)			●
39401	◆	FRONT COVER G FLO 65	1	AUX319928		
39596	◆	COMPLETE TRANSMISSION	1	AUX319662	■	●
39599		TRANSMISSION	(1)			
39008A	◆	SET PLUGS_LIFTING EYE BOLTS	1	AUX319682		
39701		LIFTING EYE BOLTS	(1)			
39715	◆	BREATHER	1	AUX239151		●
39772		OIL LEVEL INDICATOR	(1)			
39773		PLUG	(1)			
39774		SEAL WASHER	(1)			●
39009A	◆	BEARING GASKETS _ RING SET	1	AUX319683		●
39507		INTERNAL RING	(1)			●
39516		CIRCLIPS	(1)			
39518		O-RING FKM	(1)			●
39602		SEAL	(1)			
39608		LIP SEAL	(1)			●
39608A		LIP SEAL	(1)			●
39733		SEAL	(1)			●
39013		RADIAL SPRING KIT FOR SHAFT TRANSMISSION	(1)			
39016	◆	SCREWS SET FOR BELLOWS	1	AUX319677		
39529		SCREW	(4)			
39723		PIN	(1)			
39017	◆	SET BELLOWS	1	AUX319679		
39018		BEARINGS KIT FOR TRANSMISSION	(1)			
39500		SHAFT COMPLETE	(1)			
39508		KEY	(1)			
39607		BEARING COVER	(1)			
39607		SCREW	(6)			
39607		MAIN BODY SUPPORT	(1)			
39607		BEARING	(1)			